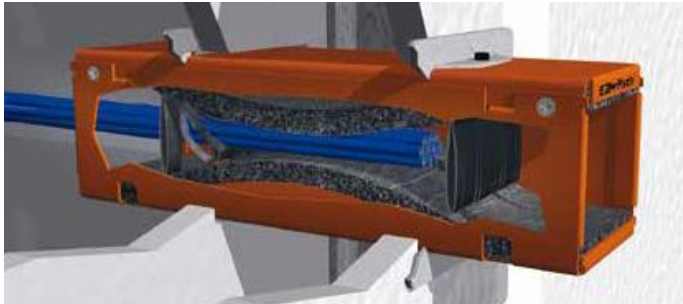


Certified mechanical firestop system

Number(s) : 250018-250058-250078-
250120-250130-250140-250170-250178-
250220-250230-250240-250250-250260-
250370-250380-350700-350701-350702-
350703-350704-350705






CONTENTS

PAGES



1.Range	1 to 3
2.Technical characteristics	4 to 17
3.Installation instruction & performance	18 to 22

1. EZ Path : range

1.1 Modules

	Numbers	Description	Installation
Modules			
	350705	RFG-2 GROMMET	NEW / RENOVATION
	250018	EZD 33T – FIRESTOP MODULE EZ -PATH	NEW / RENOVATION
	250058	EZD 44T- FIRESTOP MODULE EZ PATH MAX	NEW / RENOVATION

1.2 Modules accessories

	Numbers	Description	Installation
Modules			
	250078	EZD 33E - EXTENSION FOR EZD 33T	NEW / RENOVATION
	250178	EZD 44ES - EXTENSION FOR EZD44T	NEW / RENOVATION

Certified mechanical firestop system

Number(s) : 250018-250058-250078-250120-250130-250140-250170-250178-250220-250230-250240-250250-250260-250370-250380-350700-350701-350702-350703-350704-350705

1. EZ Path : range (cont.)

1.3 Wall installation plates







	Numbers	Description	Installation
Wall installation accessories			
for modules 33			
	250120	EZP 233WT - 2 PLATES FOR 2 EZD 33T	NEW
	250130	EZP 333WT - 2 PLATES FOR 3 EZD 33T	NEW
	250140	EZP 433WT - 2 PLATES FOR 4 EZD 33T	NEW
	250170	EZP 733WT - 2 PLATES FOR 7 EZD 33T	NEW
	250240	EZP 133CWT - 2 CYLINDRIC PLATES FOR 1 EZD 33T	NEW
for modules 44			
	250230	EZP 144WT- 2 PLATES FOR 1 EZD 44T	NEW
	350700	EZP 144WE- 2 PLATES FOR 1 EZD 44T	NEW
	350701	EZP 144RSE- 2 PLATES FOR 1 EZD 44T	NEW / RENOVATION
	350702	EZP 544WE- 2 PLATES FOR 1 to 5 EZD 44T	NEW / RENOVATION
	250250	EZP 544WT- 2 PLATES FOR 1-5 EZD 44T	NEW / RENOVATION

Certified mechanical firestop system

Number(s) : 250018-250058-250078-250120-250130-250140-250170-250178-250220-250230-250240-250250-250260-250370-250380-350700-350701-350702-350703-350704-350705

1. EZ Path : range (cont.)

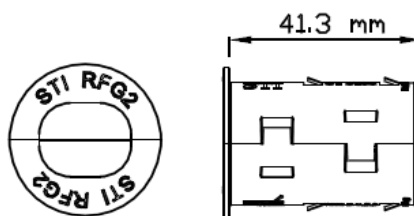
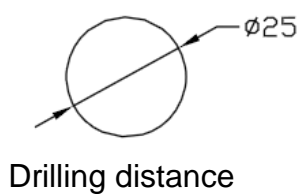
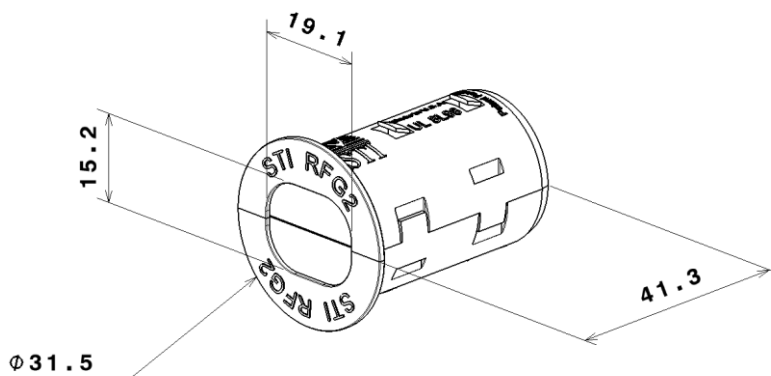
1.4 Floor installation plates

	Numbers	Description	Installation
Floor installation accessories			
for modules 33			
	250220	EZP 133KT - 1 CYLINDRIQUE ADAPTOR FOR 1 EZD 33T	NEW
for modules 44			
	250260	EZG144T - 1 ADAPT. FOR VERTICAL INSTALLATION FOR 1 EZD 44T	NEW
	350703	EZP 144MBE- 2 PLATES FOR 1 EZD 44T	NEW / RENOVATION
	350704	EZP 544MBE- 2 PLATES FOR 1 to 5 EZD 44T	NEW / RENOVATION
	250370	EZG444T 1 FLOOR PLATE 4 EZD44T	NEW
	250380	EZG844T 1 FLOOR PLATE 8 EZD44T	NEW

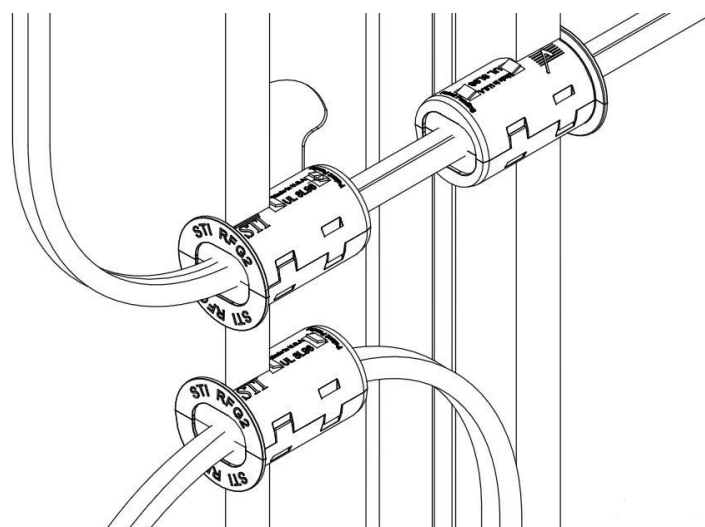
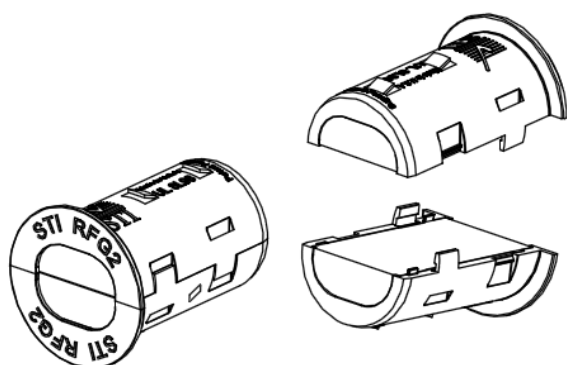
2. EZ Path : technical characteristics

2.1 Modules

2.1.1 Number 350705 : RFG2 GROMMET



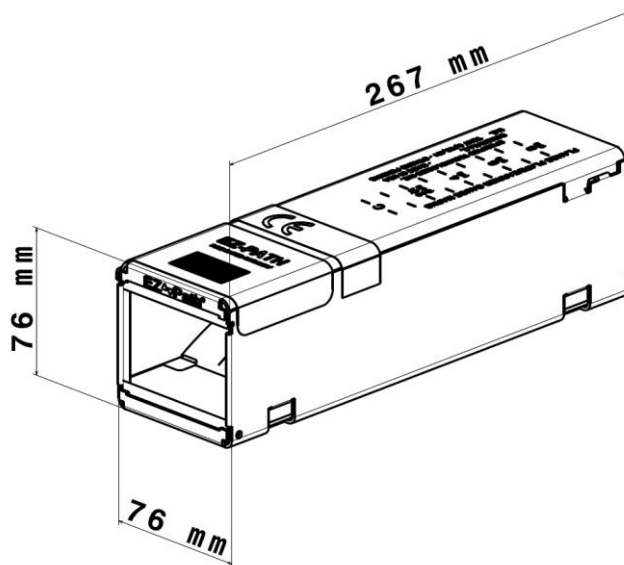
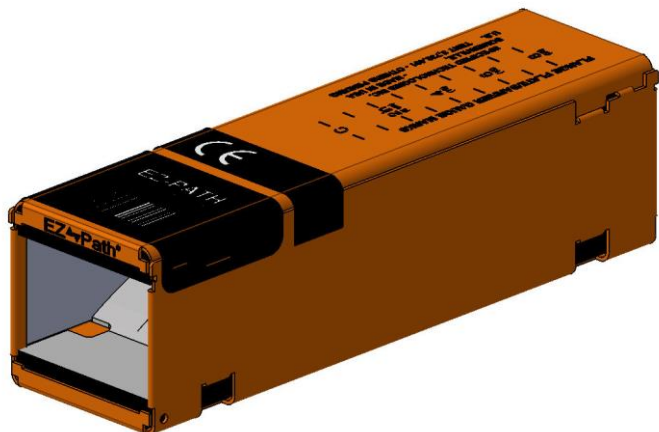
Minimum wall depth : 100 mm rigid or flexibles walls



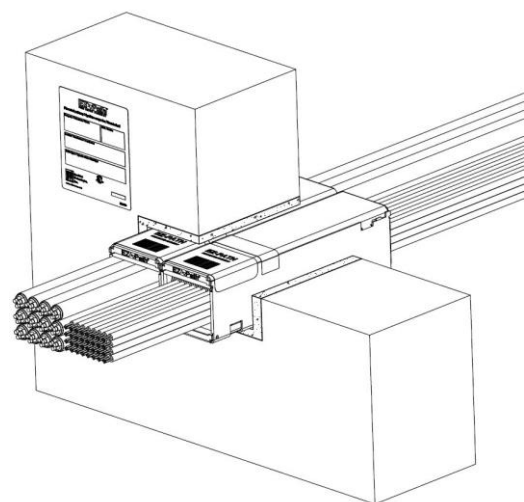
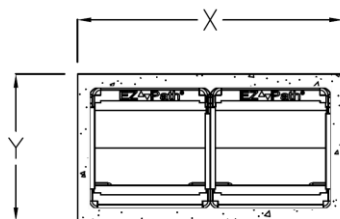
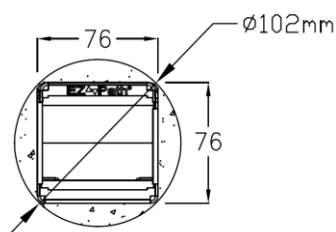
2. EZ Path : technical characteristics (cont.)

2.1 Modules

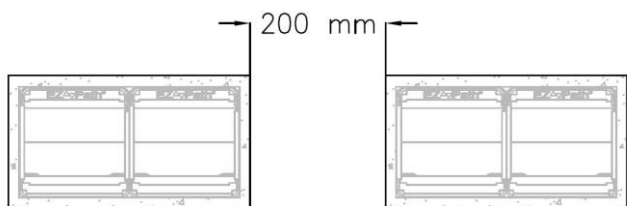
2.1.2 Number 250018 : EZD 33T – Firestop Module EZ-Path



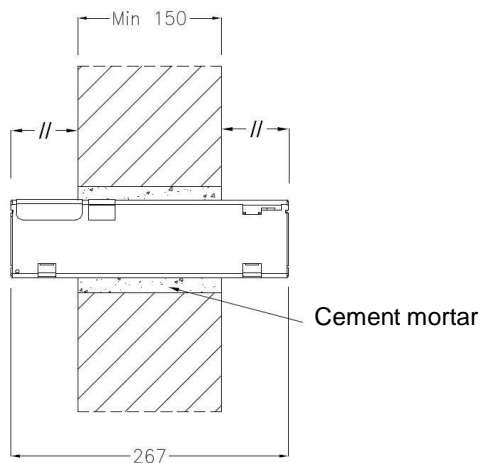
Drilling distance (module without wall plate)



OPENING	CM250018 1 x EZD33T	CM250018 2 x EZD33T
X	90mm +/- 5mm	170mm +/- 5mm
Y	90mm +/- 5mm	90mm +/- 5mm



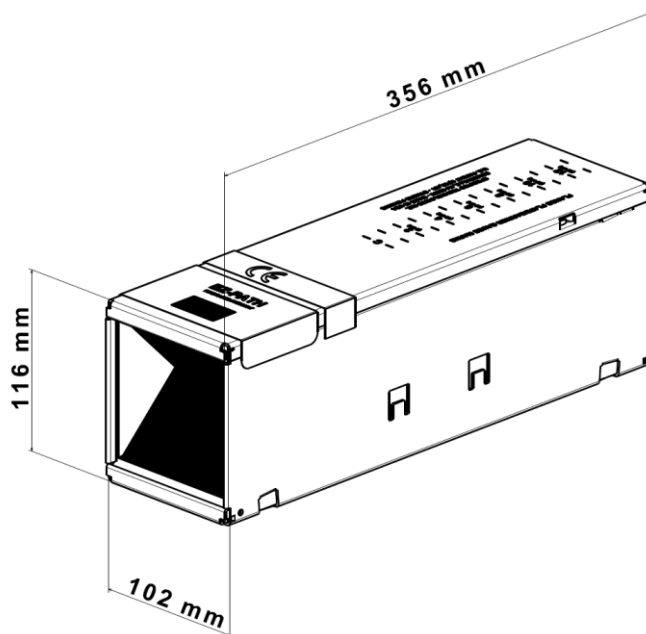
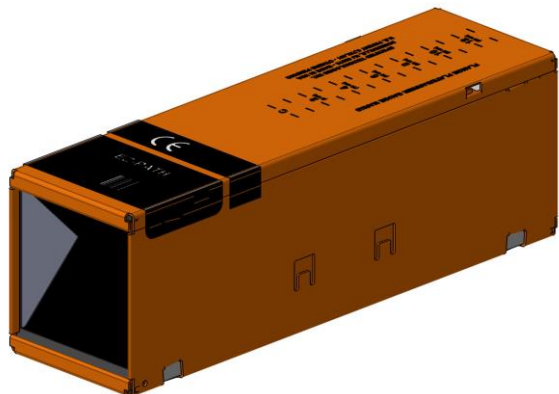
MINIMUM DISTANCE BETWEEN THE OPENINGS



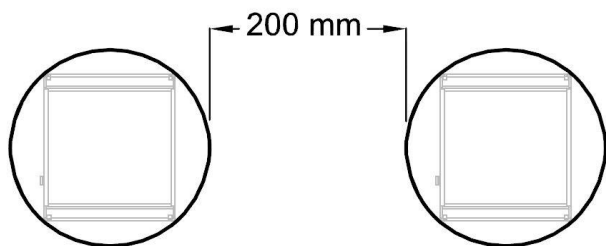
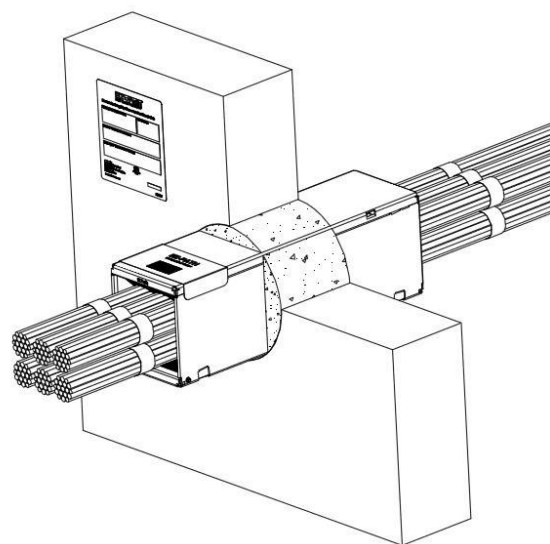
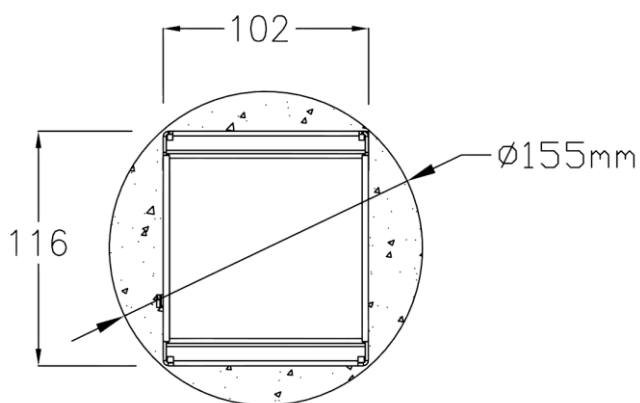
2. EZ Path : technical characteristics (cont.)

2.1 Modules

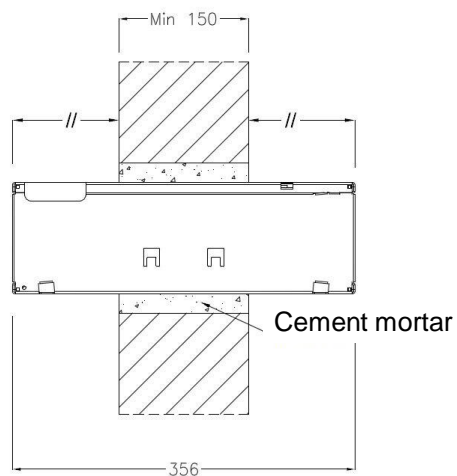
2.1.3 Number 250058 : EZD 44T – Firestop Module EZ-Path max



Drilling distance (module without wall plate)



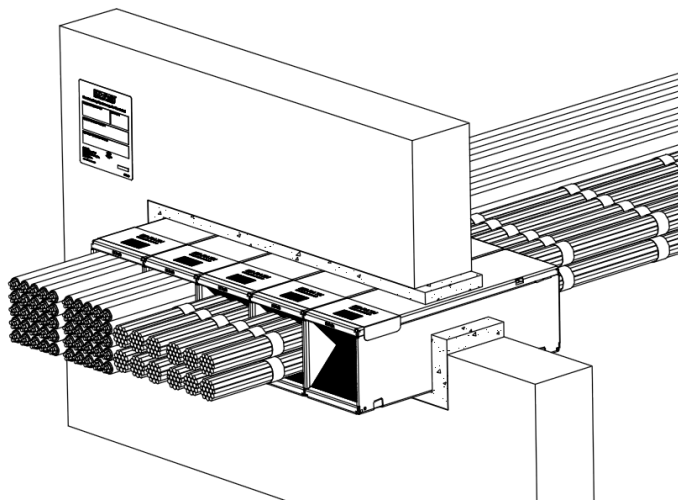
MINIMUM DISTANCE BETWEEN THE OPENINGS



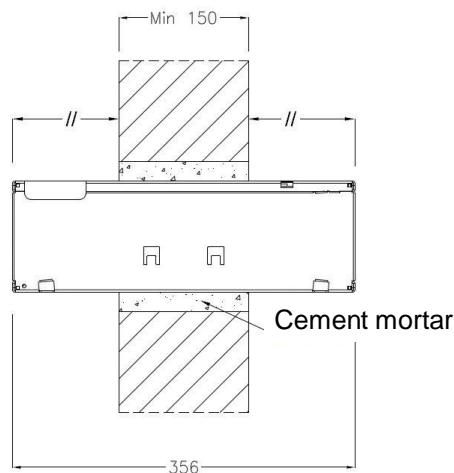
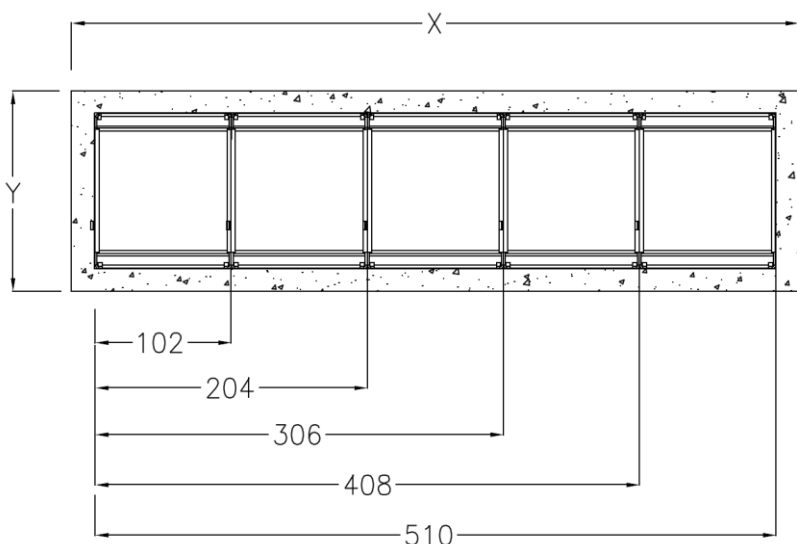
2. EZ Path : technical characteristics (cont.)





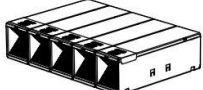
2.1 Modules

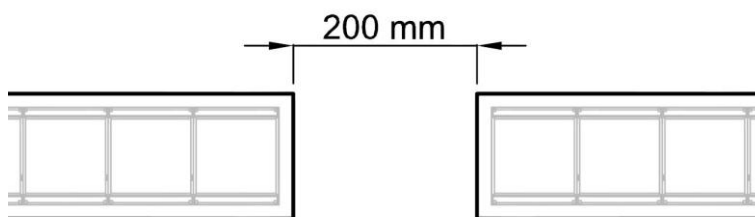
2.1.3 Number 250058 : EZD 44T – Firestop Module EZ-Path max



Drilling distance (module without wall plate)



					
OPENING	1 x EZD44T *	2 x EZD44T	3 x EZD44T	4 x EZD44T	5 x EZD44T
X	138mm +/- 16mm	240mm +/- 16mm	342mm +/- 16mm	444mm +/- 16mm	546mm +/- 16mm
Y	143mm +/- 12mm	143mm +/- 12mm	143mm +/- 12mm	143mm +/- 12mm	143mm +/- 12mm



MINIMUM DISTANCE BETWEEN THE OPENINGS

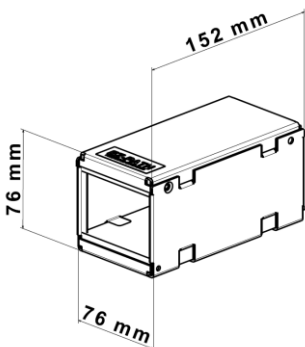
2. EZ Path : technical characteristics (cont.)

2.2 Modules accessories

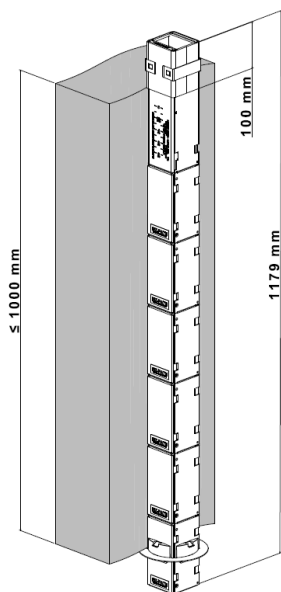
2.2.1 Number 250078 : EZD 33E - Extension for EZD 33



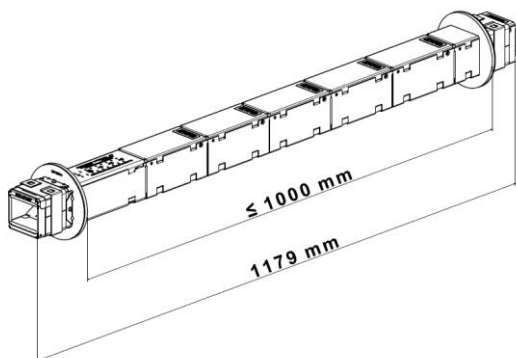
Dimensions



Vertical installation with extension :
example for floor up to 1000 mm



Horizontal installation with extension :
example for wall up to 1000 m



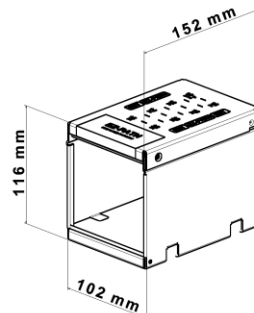
2. EZ Path : technical characteristics (cont.)

2.2 Modules accessories

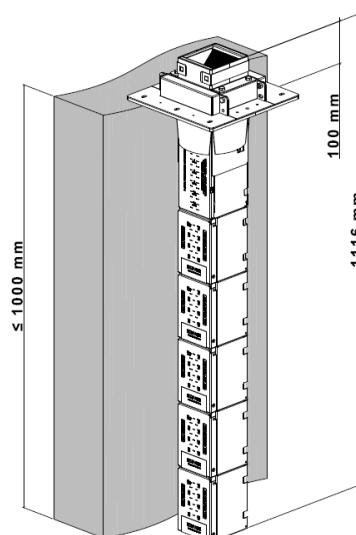
2.2.2 Number 250178 : EZD 44ES – Extension for EZD 44T



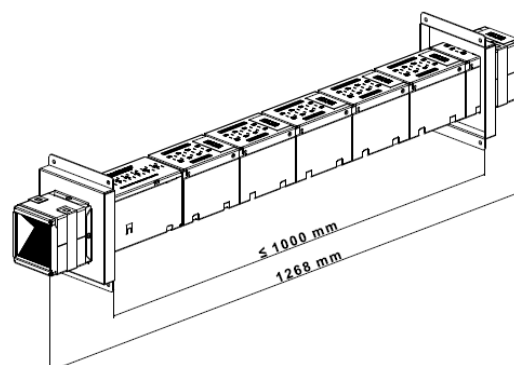
Dimensions



Vertical installation with extension :
example for floor up to 1000 mm



Horizontal installation with extension
example for wall up to 1000 m

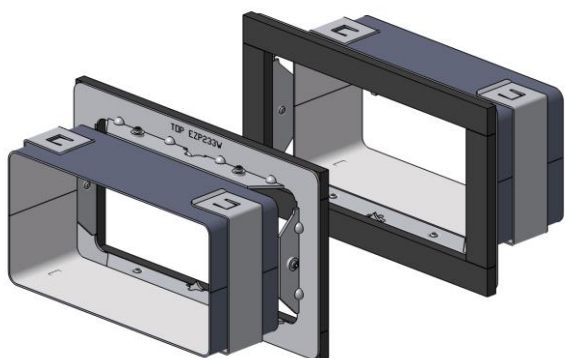


2. EZ Path : technical characteristics (cont.)

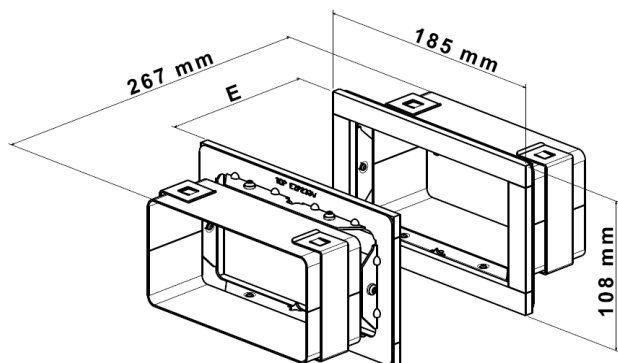
2.3 Wall plates

2.3.1 Plates for modules 33

Numbers 250120 : EZP 233WT - 2 plates for 2 EZD 33T

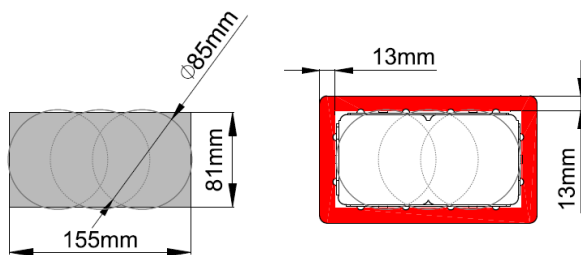


Dimensions



E : 100 mm minimum rigid or flexible walls

Drilling distance



Recommended opening size

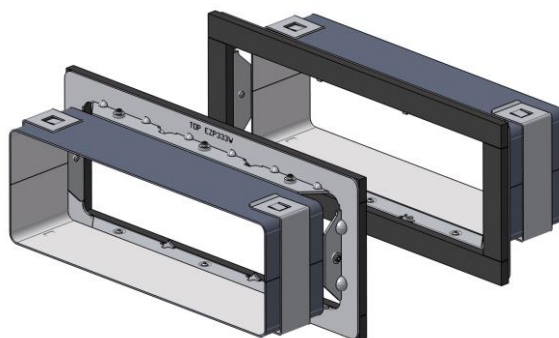
Minimum overlapping of the wall plate

2. EZ Path : technical characteristics (cont.)

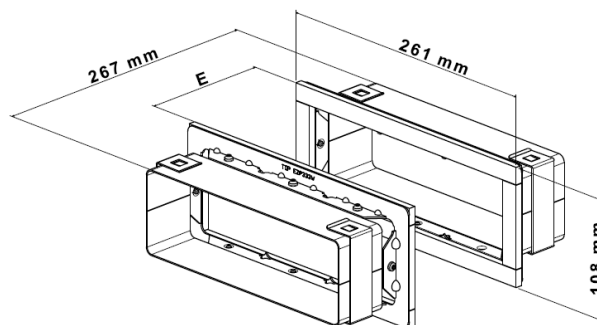
2.3 Wall plates

2.3.1 Plates for modules 33

Numbers 250130 : EZP 333WT - 2 plates for 3 EZD33T

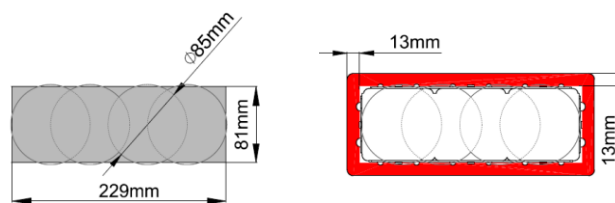


Dimensions



E : 100 mm minimum rigid or flexible walls

Drilling distance



Recommended opening size

Minimum overlapping of the wall plate

2. EZ Path : technical characteristics (cont.)

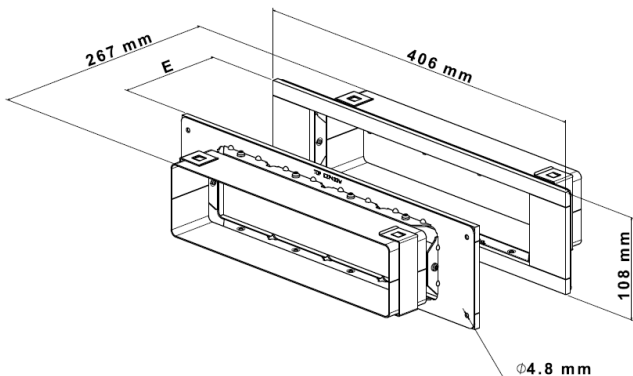
2.3 Wall plates

2.3.1 Plates for modules 33

Numbers 250140 : E郑 433WT - 2 plates for 4 EZD 33T



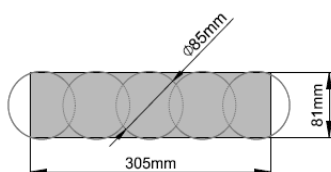
Dimensions



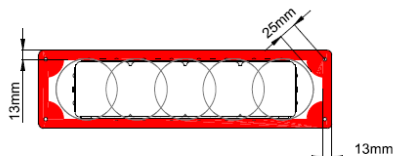
E : 100 mm minimum rigid or flexible walls

Drilling distance

Recommended opening size



Minimum overlapping of the wall plate



2. EZ Path : technical characteristics (cont.)

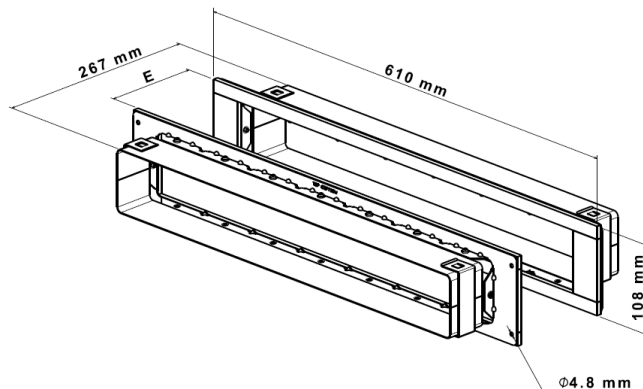
2.3 Wall plates

2.3.1 Plates for modules 33

Numbers 250170 : E郑 733WT - 2 plates for 7 EZD33T



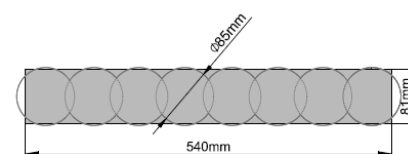
Dimensions



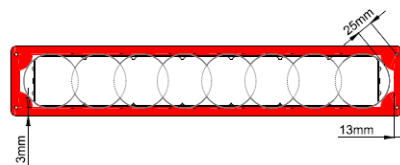
E : 100 mm minimum rigid or flexible walls

Drilling distance

Recommended opening size



Minimum overlapping of the wall plate

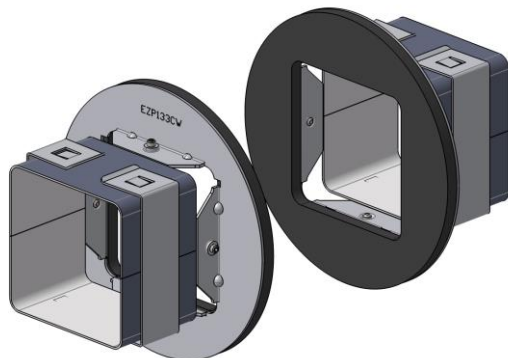


2. EZ Path : technical characteristics (cont.)

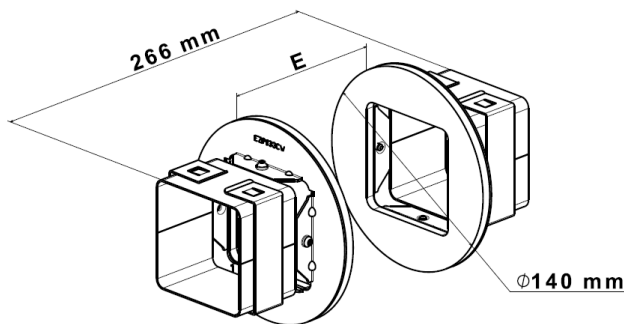
2.3 Wall plates

2.3.1 Plates for modules 33

Numbers 250240 : E郑 133CWT - 2 plaques cylindriques pour 1 EZD 33T

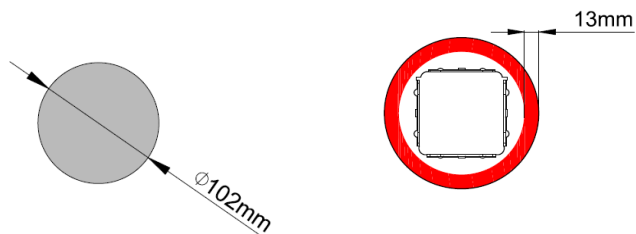


Dimensions



E : 100 mm minimum rigid or flexible walls

Drilling distance



Recommended opening size

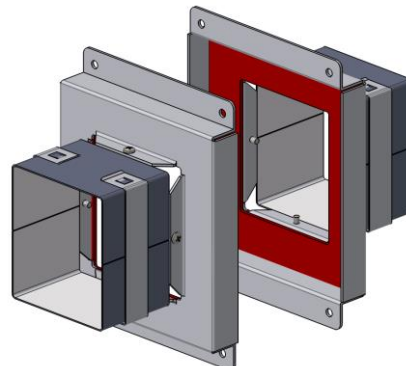
Minimum overlapping of the wall plate

2. EZ Path : technical characteristics (cont.)

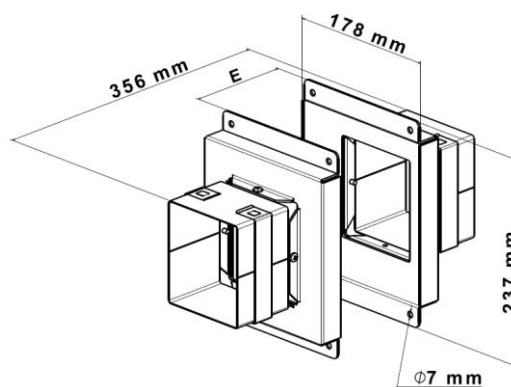
2.3 Wall plates

2.3.2 Plates for modules 44

Numbers 250230 : E郑 144WT - 2 plates for 1 EZD44T



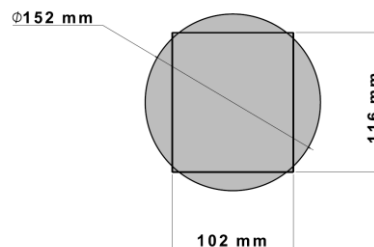
Dimensions



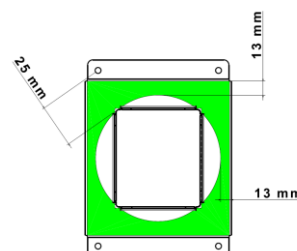
E : 100 mm minimum rigid or flexible walls

Drilling distance

Recommended opening size



Minimum overlapping of the wall plate



2. EZ Path : technical characteristics (cont.)

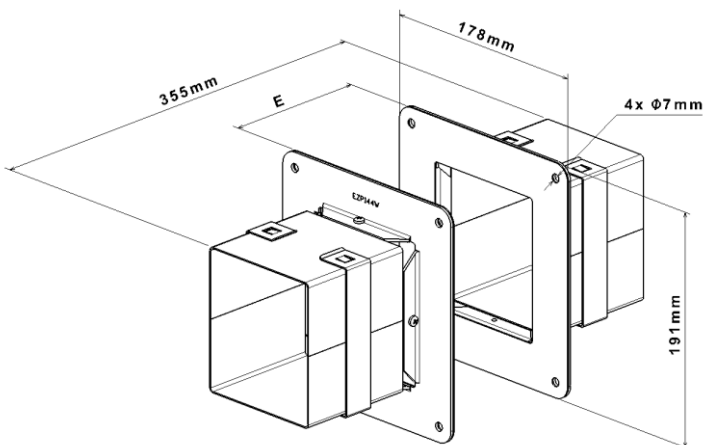
2.3 Wall plates

2.3.2 Plates for modules 44

Numbers 350700 : E郑 144WE - 2 plates for 1 EZD44



Dimensions

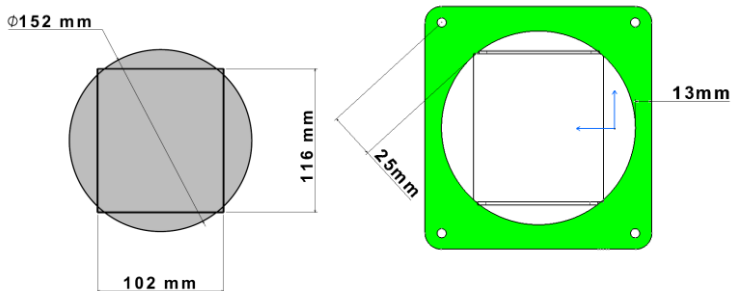


E : 100 mm minimum rigid or flexible walls

Drilling distance

Recommended opening size

Minimum overlapping of the wall plate



2. EZ Path : technical characteristics (cont.)

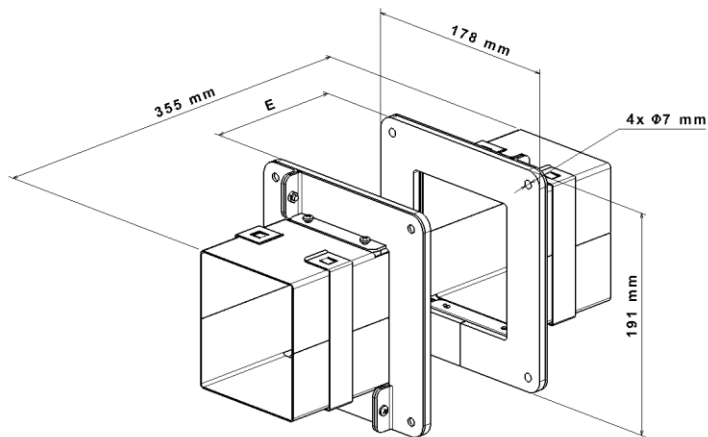
2.3 Wall plates

2.3.2 Plates for modules 44

Numbers 350701 : E郑 144RSE - 2 plates for 1 EZD44



Dimensions

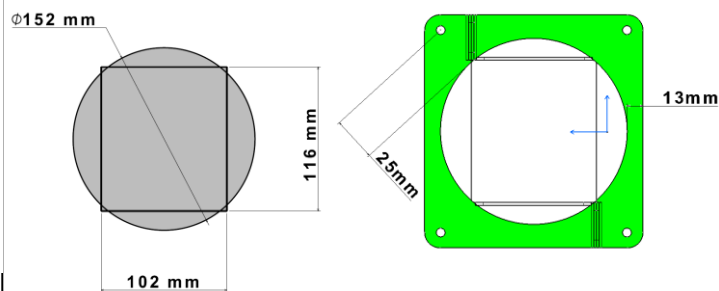


E : 100 mm minimum rigid or flexible walls

Drilling distance

Recommended opening size

Minimum overlapping of the wall plate



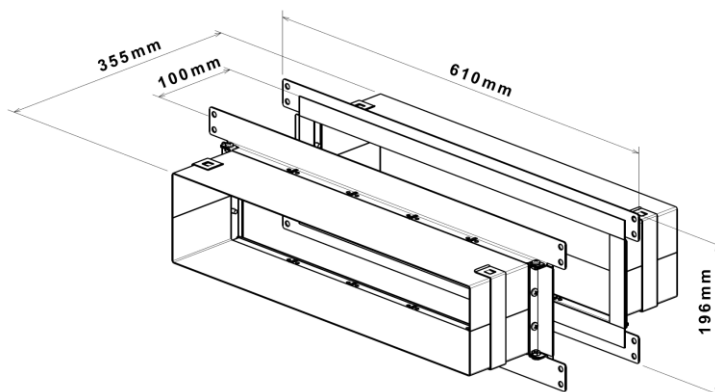
2. EZ Path : technical characteristics (cont.)

2.3 Wall plates

2.3.2 Plates for modules 44

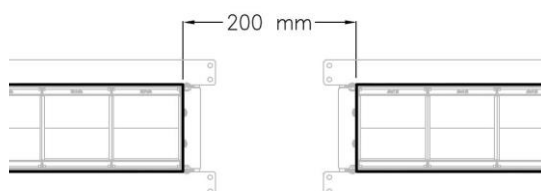
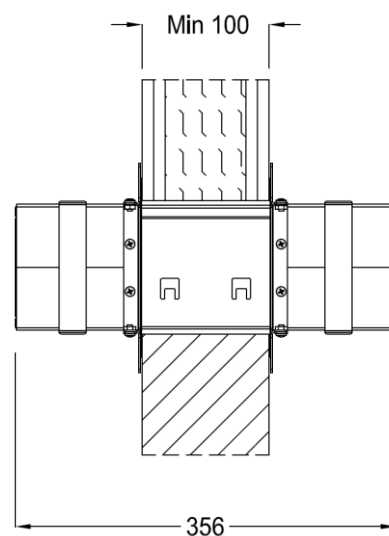
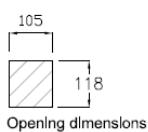
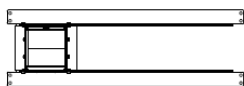
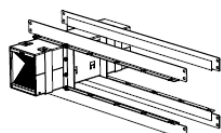
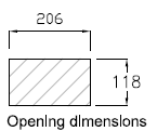
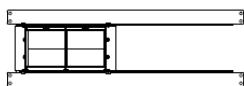
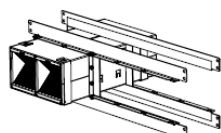
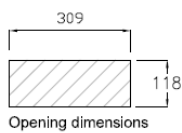
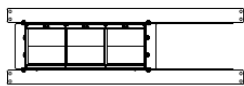
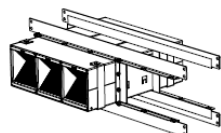
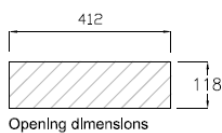
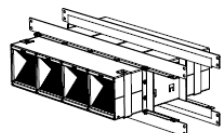
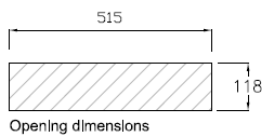
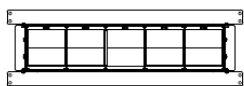
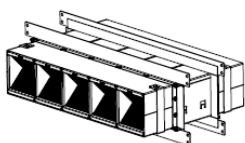
Numbers 350702 : E郑 544WE - 2 plates for 1 EZD44T

Dimensions



Usable plate in renovation

Drilling distance



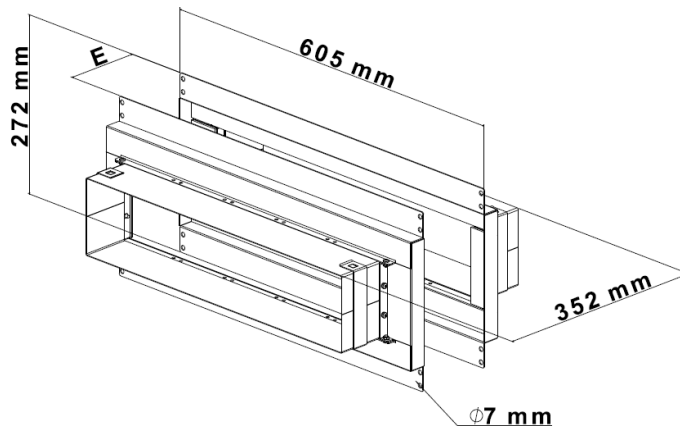
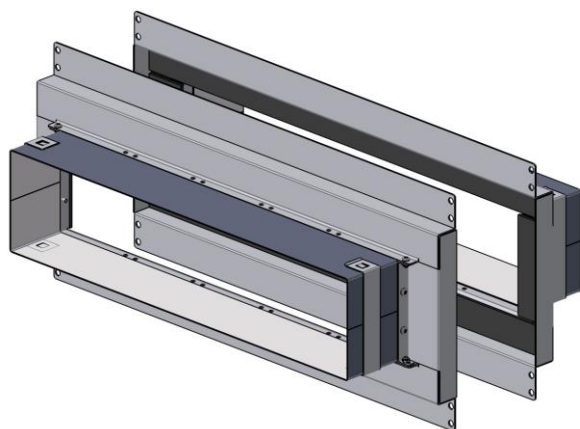
MINIMUM DISTANCE BETWEEN THE OPENINGS

2. EZ Path : technical characteristics (cont.)

2.3 Wall plates

2.3.2 Plates for modules 44

Numbers 250250 : EZZ 544WT - 2 plates for 1 à 5 EZZ44T



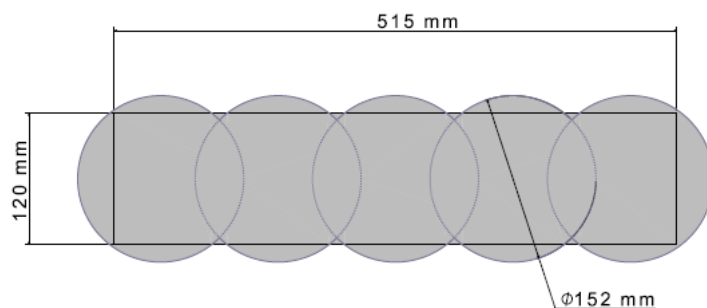
Usable plate in renovation

Dimensions

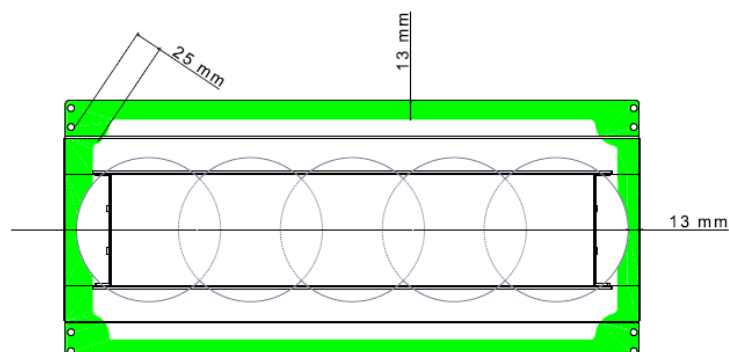
E : 100 mm minimum rigid or flexible walls

Drilling distance

Recommended opening size



Minimum overlapping of the wall plate

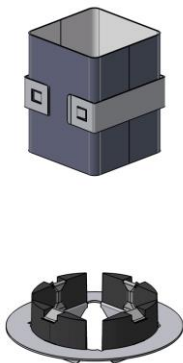


2. EZ Path : technical characteristics (cont.)

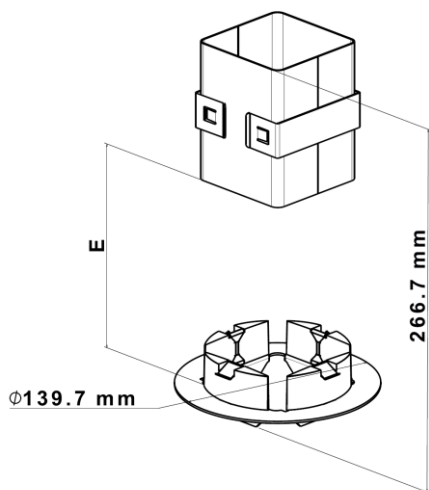
2.4 Floor installation plates

2.4.1 Plates for modules 33

Numbers 250220 : E郑 133KT - 1 cylindri adaptor pour 1 E郑 33T

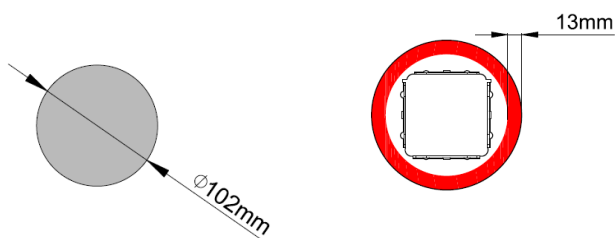


Dimensions



E : 150 mm minimum for floor

Drilling distance



Recommended opening size

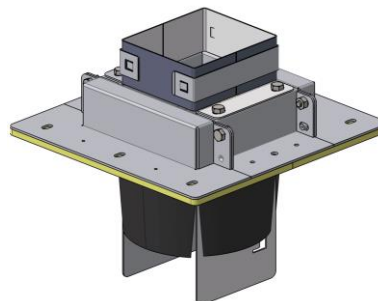
Minimum overlapping of the plate on the floor

2. EZ Path : technical characteristics (cont.)

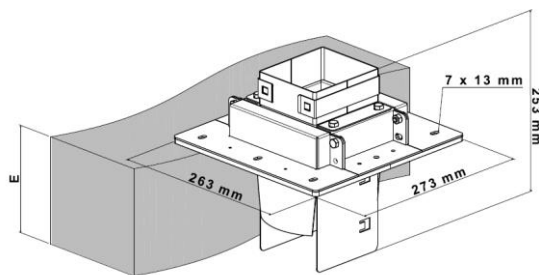
2.4 Floor installation plates

2.4.2 Plates for modules 44

Numbers 250260 : E郑 144T - 1 vertical installation adaptor for 1 E郑 44T



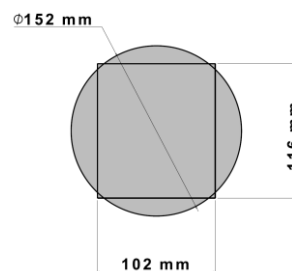
Dimensions



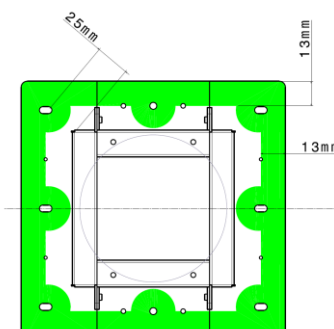
E : 150 mm minimum for floor

Drilling distance

Recommended opening size



Minimum overlapping of the plate on the floor

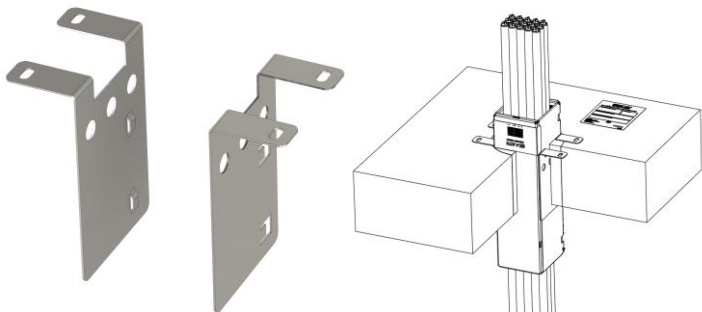


2. EZ Path : technical characteristics (cont.)

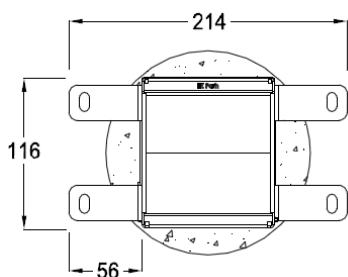
2.4 Floor installation plates

2.4.2 Plates for modules 44

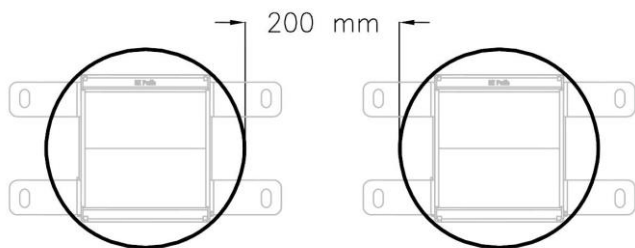
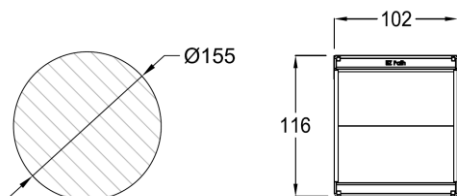
Numbers 350703 : EZP 144 MBE – 2 plates for 1 EZD 44T



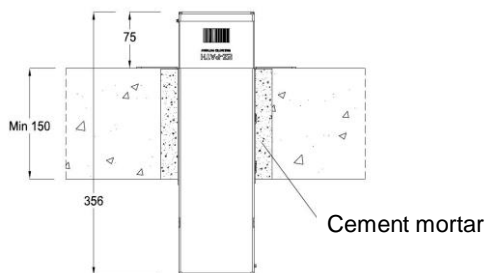
Dimensions



Drilling distance



MINIMUM DISTANCE BETWEEN THE OPENINGS

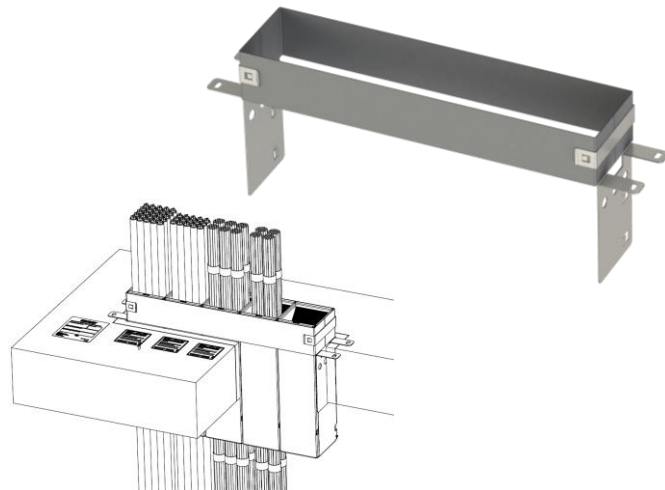


2. EZ Path : technical characteristics (cont.)

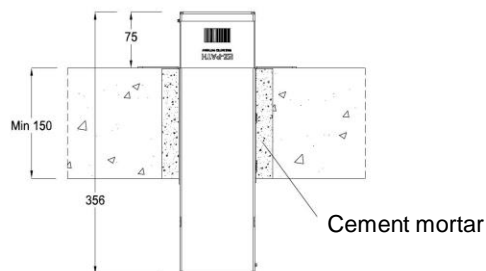
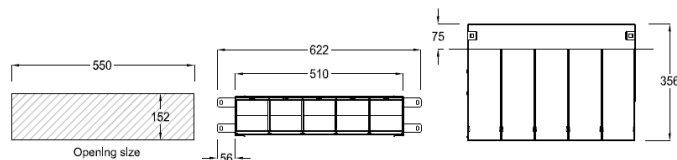
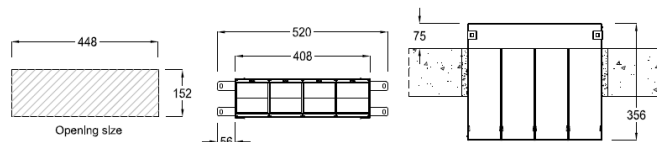
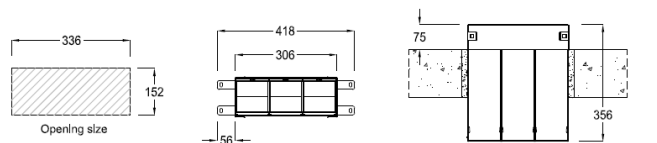
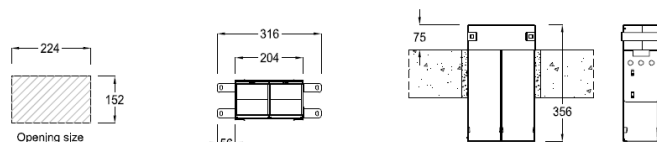
2.4 Floor installation plates

2.4.2 Plates for modules 44

Numbers 350704 : EZP 544 MBE – 2 plates for 1 EZD 44



Drilling distance

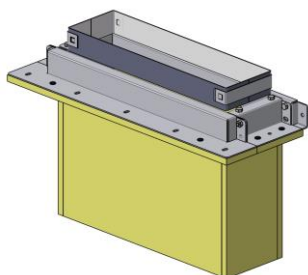


2. EZ Path : technical characteristics (cont.)

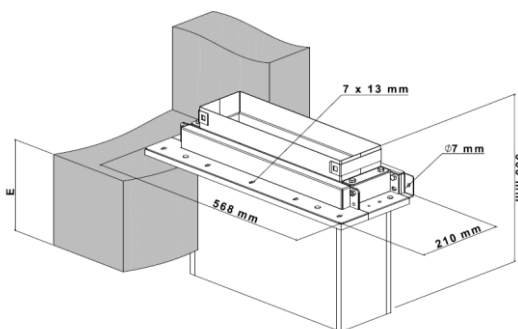
2.4 Floor installation plates

2.4.2 Plates for modules 44

Numbers 250370 : EZG 444T - 1 floor plate for 4 EZD44T



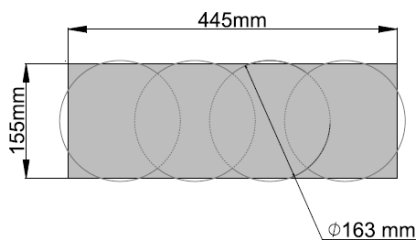
Dimensions



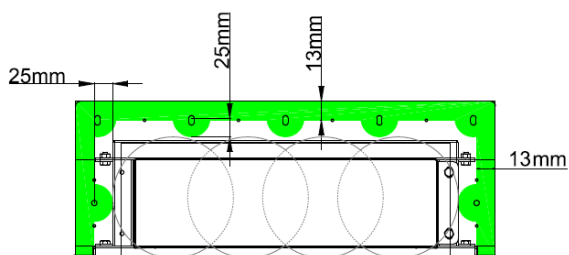
E : 150 mm minimum for floor

Drilling distance

Recommended opening size



Minimum overlapping of the plate on the floor

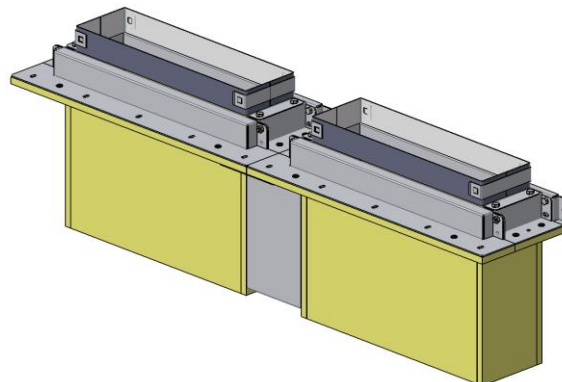


2. EZ Path : technical characteristics (cont.)

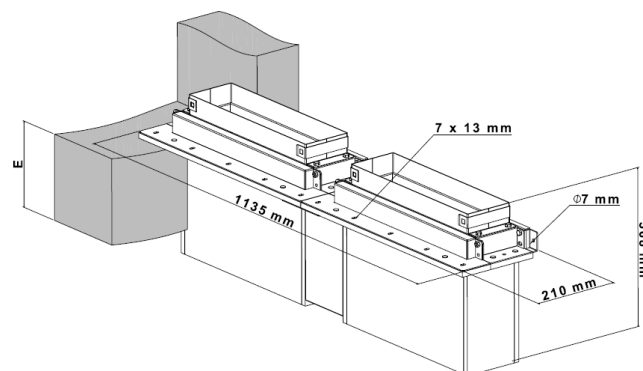
2.4 Floor installation plates

2.4.2 Plates for modules 44

Numbers 250380 : EZG 844T - 1 floor plate for 8 EZD44T



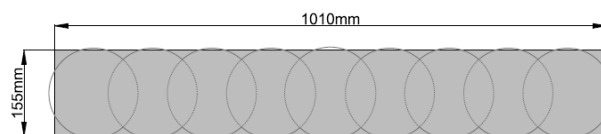
Dimensions



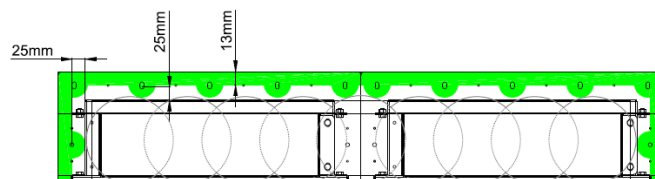
E : 150 mm minimum for floor

Drilling distance

Recommended opening size



Minimum overlapping of the plate on the floor



3. EZ Path : Installation instruction and performance

3.1 Definition

The fire rating of a product is measured by the lower of the following two values :

- Its seal (E) i.e. the period (min) for which it stops the flames passing
- Its Integrity (I) i.e. the period (min) for which it limits the temperature rise to 180°C

EZ-Path modules may be used in all types of walls or floors according to the following characteristics :

Flexible Wall	* shall comprise timber or steel studs, lined on both side with at least 2 layers of boards thickness 12,5 mm. * thickness > 100mm
Rigid Wall	* Made from concrete, aerated concrete or reinforced concrete or masonry * density > 650 kg/m3 * thickness > 100mm
Rigid Floor	* Made from concrete, aerated concrete or reinforced concrete * density > 650 kg/m3 * thickness > 150mm

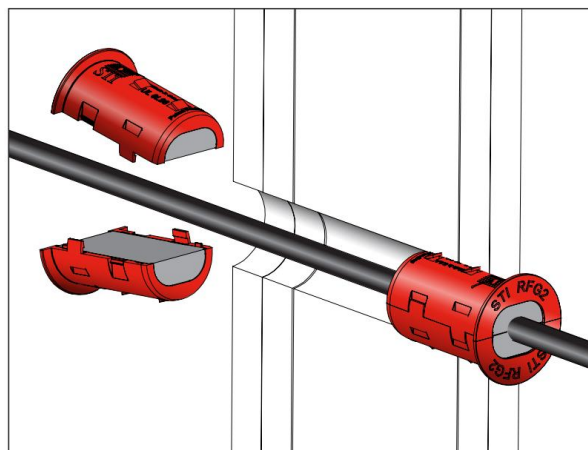
3.2 Certifications

- ✓ Range EZ Path module 33/44 and associated plates : **ETA 18/0412 - DOP n°6 1003/B-FR**
- ✓ RFG-2 : **ETA 18/0307 - DOP n°6 1004/A-FR**

Certifications
Fire resistance : EN 1366-3
Classification : EN 13501-2

3.3 Performance indicators system RFG2 GROMMET

Number	RFG-2
Maxi cable Ø	Ø 14 mm
Maxi cable number	2 x (Ø 7 mm)
Drilling distance	Ø 25
Performance	EI120
Wall type	Flexible or rigid walls ≥100mm



Certified mechanical firestop system certifié

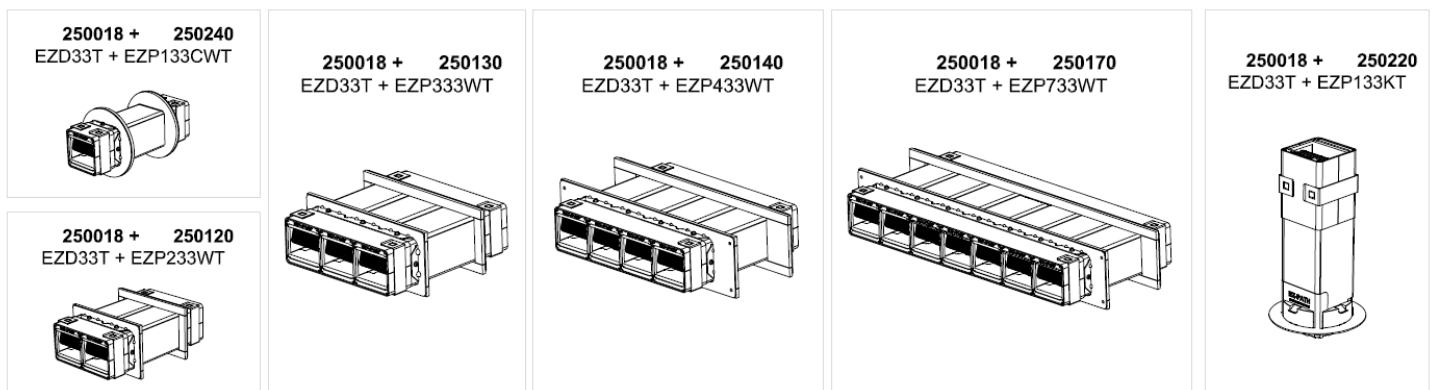
Number(s) : 250018-250058-250078-250120-250130-250140-
250170-250178-250220-250230-250240-250250-250260-250370-
250380-350700-350701-350702-350703-350704-350705

3. EZ Path : Installation instruction and performance (cont.)

3.4 Performance indicators for system modules 33

EZ-PATH Systems	Outer Ø of cables (mm)	Flexible walls		Rigid walls			Rigid floor
		≥100mm	≥122mm	≥100mm	≥122mm	≥150mm	≥150mm
1 or 2 x CM250018 (Module) 1 or 2 x <i>EZD33T</i> (Module)	≤ Ø 21	-	-	-	-	EI90 / EI120	-
1 x CM250018 + CM250240 1 x <i>EZD33T</i> + <i>EZP133CWT</i>	≤ Ø 21	EI60 / EI120	EI120	EI60 / EI120	EI120	EI120	-
	≤ Ø 50	-	-	-	-	EI60 / EI120	-
2 x CM250018 + CM250120 2 x <i>EZD33T</i> + <i>EZP233WT</i>	≤ Ø 21	-	EI120	-	EI120	EI120	-
	≤ Ø 50	-	-	-	-	EI60 / EI120	-
3 x CM250018 + CM250130 3 x <i>EZD33T</i> + <i>EZP333WT</i>	≤ Ø 21	-	EI120	-	EI120	EI120	-
	≤ Ø 50	-	-	-	-	EI60 / EI120	-
4 x CM250018 + CM250140 4 x <i>EZD33T</i> + <i>EZP433WT</i>	≤ Ø 21	-	EI120	-	EI120	EI120	-
	≤ Ø 50	-	-	-	-	EI60 / EI120	-
7 x CM250018 + CM250170 7 x <i>EZD33T</i> + <i>EZP733WT</i>	≤ Ø 21	-	EI120	-	EI120	EI120	-
	≤ Ø 50	-	-	-	-	EI60 / EI120	-
1 x CM250018 + CM250220 1 x <i>EZD33T</i> + <i>EZP133KT</i>	≤ Ø 21	-	-	-	-	-	EI120

All EZ-Path systems are approved empty up to 100% fill of cables



3. EZ Path : Installation instruction and performance (cont.)

3.5 Performance indicators for system modules 44

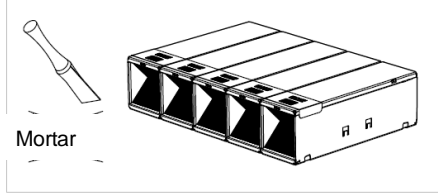
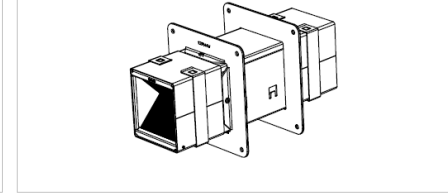
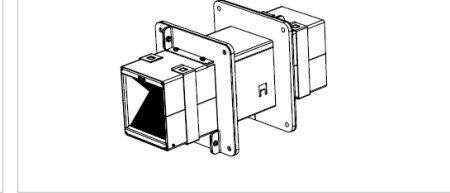
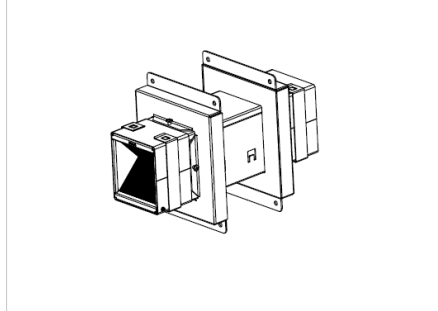
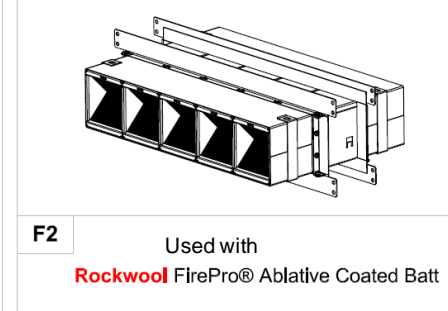
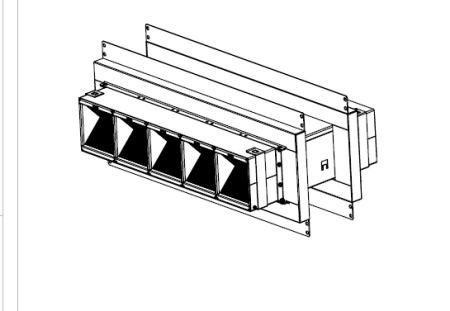
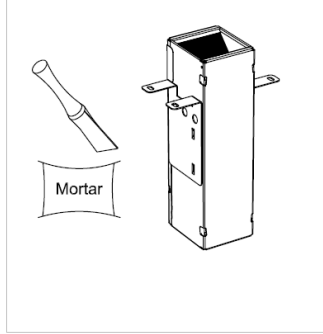
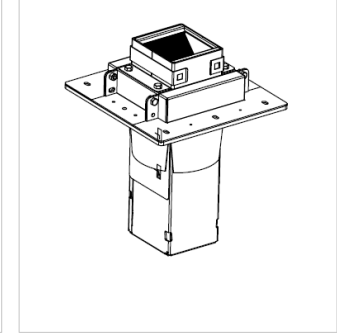
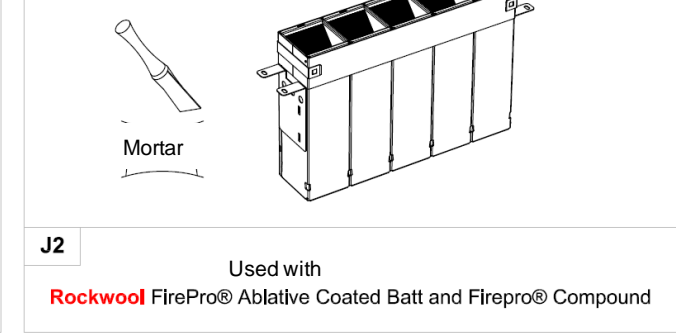
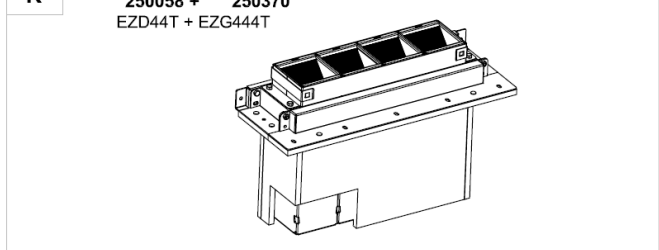
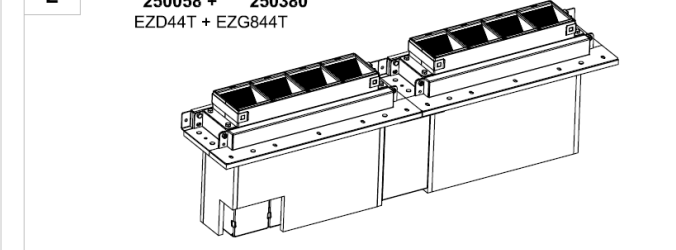
	EZ-PATH Systems	Outer Ø of cables (mm)	Flexible walls		Rigid walls			Rigid floor
			≥100mm	≥122mm	≥100mm	≥122mm	≥150mm	≥150mm
A	1 x 250058 (Module) 1 x EZD44T (Module)	≤ Ø 21	-	-	EI 90	EI 90	EI120 / E240	-
B	2 up to 5 x 250058 (Module) 2 up to 5 x EZD44T (Module)	≤ Ø 21	-	-	EI90 / E240	EI90 / E240	EI90 / E240	-
C	1 x 250058 + 350700 1 x EZD44T + EZP144WE	≤ Ø 21	EI90 / E120	EI90 / E120	EI90 / E120	EI90 / E120	EI 120 **	-
D	1 x 250058 + 350701 1 x EZD44T + EZP144RSE	≤ Ø 21	EI90 / E120	EI90 / E120	EI90 / E120	EI90 / E120	EI90 / E120	-
E	1 x 250058 + 250230 1 x EZD44T + EZP144WT	≤ Ø 80	-	EI 120	-	EI 120	EI 120	-
F1	1 up to 5 x 250058 + 350702 1 up to 5 x EZD44T + EZP544WE	≤ Ø 21	EI 120	EI 120	EI 120	EI 120	EI 120	-
F2	1 up to 5 x 250058 + 350702 1 up to 5 x EZD44T + EZP544WE Rockwool FirePro® Ablative Coated Batt	≤ Ø 21	EI90 / E120	EI90 / E120	EI90 / E120	EI90 / E120	EI90 / E120	-
G	1 up to 5 x 250058 + 250250 1 up to 5 x EZD44T + EZP544WT	≤ Ø 21	-	EI 120	-	EI 120	EI 120	-
H	1 x 250058 + 350703 1 x EZD44T + EZP144MBE	≤ Ø 21	-	-	-	-	-	EI 120
I	1 x 250058 + 250260 1 x EZD44T + EZG144T	≤ Ø 50	-	-	-	-	-	EI 120
		≤ Ø 80	-	-	-	-	-	EI 90
J1	2 up to 5 x 250058 + 350704 2 up to 5 x EZD44T + EZP544MBE	≤ Ø 21	-	-	-	-	-	EI 120
J2	1 up to 5 x 250058 + 350704 1 up to 5 x EZD44T + EZP544MBE Rockwool FirePro® Ablative Coated Batt and Firepro® Compound	≤ Ø 21	-	-	-	-	-	EI 120
K	4 x 250058 + 250370 4 x EZD44T + EZG444T	≤ Ø 80	-	-	-	-	-	EI 120
L	8 x 250058 + 250380 8 x EZD44T + EZG844T	≤ Ø 80	-	-	-	-	-	EI 120

All EZ-Path systems are approved empty up to 100% fill of cables

** EZP144WE : EI120 for telecommunication cables in ≥ 150mm rigid wall
EI90 / EI120 for all types of ≤ Ø 21mm cables in ≥ 100mm flexible and rigid wall

3. EZ Path : Installation instruction and performance (cont.)

3.4 Performance indicators for system modules 44

<p>A + B</p> <p>Module 250058 Module EZD44T</p>  <p>Mortar</p>	<p>C</p> <p>250058 + 350700 EZD44T + EYP144WE</p> 	<p>D</p> <p>250058 + 350701 EZD44T + EYP144RSE</p> 
<p>E</p> <p>250058 + 250230 EZD44T + EYP144WT</p> 	<p>F1</p> <p>250058 + 350702 EZD44T + EYP544WE</p>  <p>F2</p> <p>Used with Rockwool FirePro® Ablative Coated Batt</p>	<p>G</p> <p>250058 + 250250 EZD44T + EYP544WT</p> 
<p>H</p> <p>250058 + 350703 EZD44T + EYP144MBE</p>  <p>Mortar</p>	<p>I</p> <p>250058 + 250260 EZD44T + EYP144T</p> 	<p>J1</p> <p>250058 + 350704 EZD44T + EYP544MBE</p>  <p>Mortar</p> <p>J2</p> <p>Used with Rockwool FirePro® Ablative Coated Batt and Firepro® Compound</p>
<p>K</p> <p>250058 + 250370 EZD44T + EYP544T</p> 	<p>L</p> <p>250058 + 250380 EZD44T + EYP544T</p> 	

3. EZ Path : Installation instruction and performance (cont.)

3.5 Leakage area

AUTOMATIC GAS EXTINGUISHING SYSTEMS

Depending on the jurisdiction: NFPA 2001, ISO14520, or EN15004 which sets the test requirements for gas fire safety installations.

Rate and leakage area:

	EZD 33 empty		100% full	
	m ³ /h	EqLA cm ²	m ³ /h	EqLA cm ²
10 Pa	0.01	0.01	0.14	0.16
25 Pa	0.01	0.01	0.5	0.35
50 Pa	0.01	0.02	1.29	0.64
75 Pa	0.01	0.04	2.23	0.91

	EZD 44 empty		100% full	
	m ³ /h	EqLA cm ²	m ³ /h	EqLA cm ²
10 Pa	1.57	1.86	1.45	1.62
25 Pa	2.80	1.98	3.86	2.75
50 Pa	4.14	2.07	8.11	4.05
75 Pa	5.21	2.18	12.52	5.10

The constant performance levels of the EZ-Path® system provide not only fire protection but also a seal against smoke and inhibitory/inert gases, without requiring any human caulking operations.

3.6 Acoustic performance

> ACOUSTIC BARRIER

The STC Rating (Sound Transmission Class) defines the acoustic seal of firestop products in accordance with standard ASTM E90.

The sound attenuation of EZ-Path® modules is 45 dB.

3. EZ Path : Installation instruction and performance (cont.)

3.7 Cabling capacity

Cable diameter (mm)	Maximum number of cables		
	EZD22	EZD33	EZD44T
3	70	368	868
3.5	54	266	648
4	35	204	483
4.5	28	165	399
5	24	130	323
5.5	20	108	255
6	15	88	210
6.5	12	70	182
7	12	63	156
8	6	48	110
9	6	35	90
12.5	2	20	42
15	2	12	30
18	1	6	20
20	1	6	16
25	0	4	9
30	0	2	6
35	0	2	4