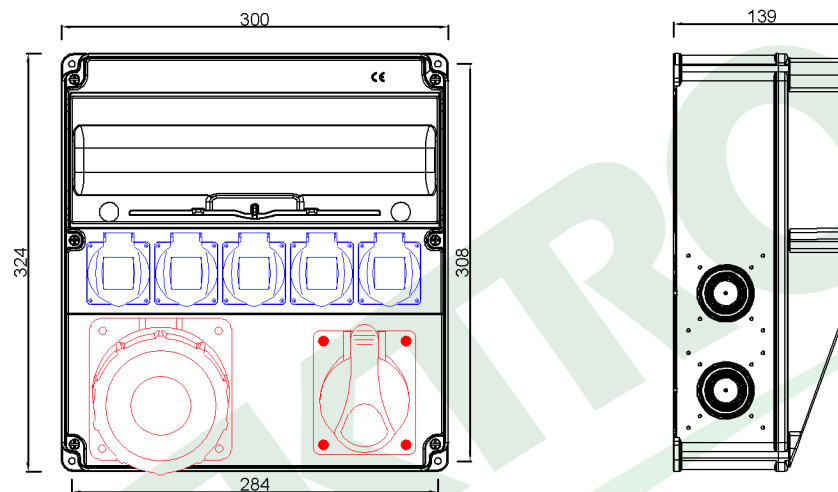
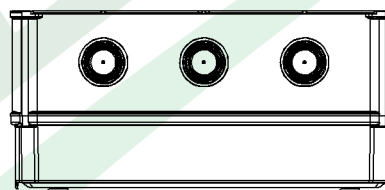


wymiary w [mm]  
dimensions [mm]



PARAMETRY PARAMETERS	
obudowa box	IP66
gniazda sockets	IP44
zaciski terminal	N & PE
dławica cable gland	PG21
OKABLOWANIE GNIAZD Sockets wiring	
63A/5p	10mm <sup>2</sup> H07V-K /LgY/ 450/750V
16A/5p	2.5mm <sup>2</sup> H07V-K /LgY/ 450/750V
230V	1.5mm <sup>2</sup> H07V-K /LgY/ 450/750V



F3.2881      Roz. CAJA 15M 16/5, 63/5, 5x230V IP44  
Distribution box CAJA 15M 16/5, 63/5, 5x230V IP44

F-ELEKTRO  
www.f-elektro.com,  
e-mail: info@f-elektro.com