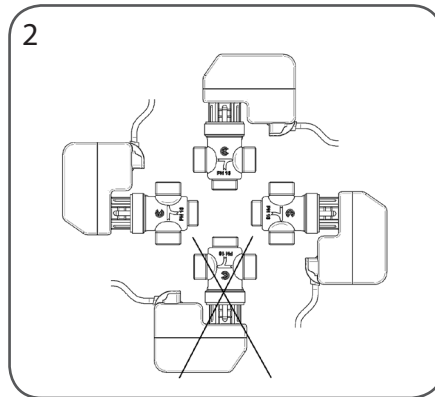
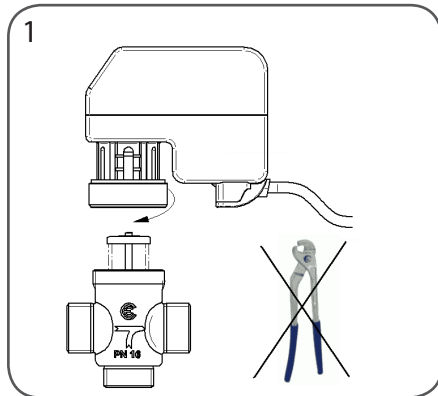


MZ20A / MZ20A-R

Installation



MZ20A

ON	OFF	N. DIP.
		1
0..10 V	—	2
6..9 V	—	3
1..5 V	—	4
2..10 V	—	5
4..7 V	—	6
6..10 V	—	7
8..11 V	—	8

