

SpaceLogic™ PS-24V

Power Supply

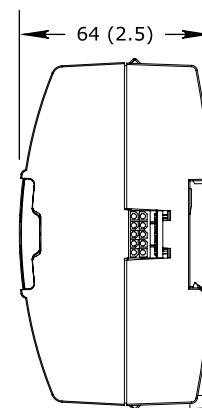
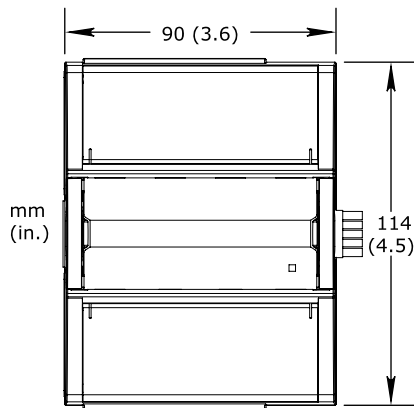
Regulatory Compliance and Safety Information

Electrical equipment should be installed, operated, serviced, and maintained only by qualified personnel. No responsibility is assumed by Schneider Electric for any consequences arising out of the use of this material. Carefully read these instructions and all information relevant for this product before trying to install it. See the list of technical literature. The technical literature and declarations of conformity can be accessed on the Schneider Electric Exchange website, ecobuilding.schneider-electric.com. Contact your local Schneider Electric sales office for a hard copy of the documentation or for additional information.

Technical Literature

- SpaceLogic Hardware Reference Guide, 04-XX001-XX-en
- EcoStruxure Building Management - Smoke Control System Design Guide, 04-16014-XX-en

Dimensions



Installing the Module

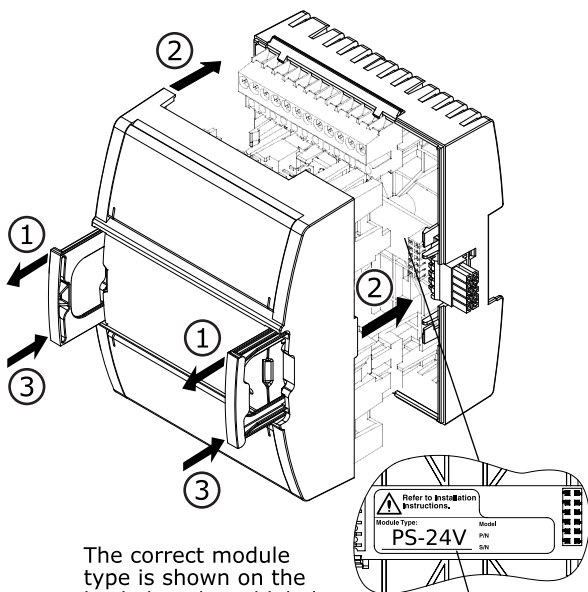
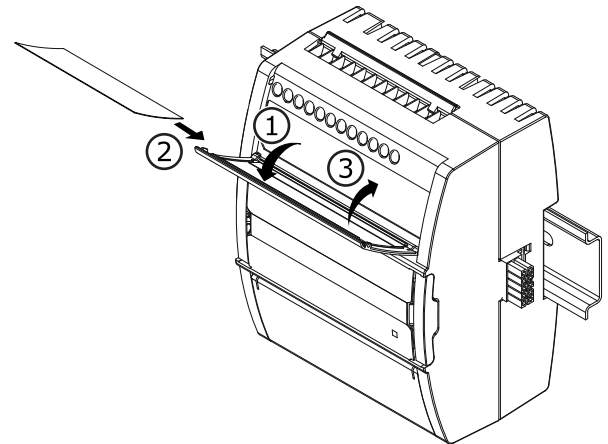
⚠️ ⚠️ WARNING

HAZARD OF ELECTRIC SHOCK OR EQUIPMENT DAMAGE

Install only the module type that is indicated on the label on the terminal base backplane.

Failure to follow these instructions can result in death, serious injury, or equipment damage.

Labeling the Module



The correct module type is shown on the backplane board label of the terminal base.

Backplane board label

Smoke Control Application Note

The input power terminals are power-limited per UL 864 requirements. For more information on the use of the PS-24V power supply for a UL 864 smoke control application, see the latest version of the EcoStruxure Building Management - Smoke Control System Design Guide (04-16014-XX-en).

Electronics Module and Terminal Base

Device	Part number
PS-24V Power Supply	SXWPS24VX10001
TB-PS-W1 Terminal Base	SXWTBPSW110001

Specifications

AC input Nominal voltage 24 VAC \sim 50/60 Hz Recommended transformer rating \geq 60 VA	DC output Output voltage 24 V \pm 1 V Output power max. 30 W	Mechanical Ingress protection rating IP 20 Plastic flame rating UL94-5VB
DC input Nominal voltage 24 VDC --- Power consumption max. 40 W	Operation environment Ambient temperature, operating 0 to 50 °C (32 to 122 °F) Humidity Maximum 95 % RH non-condensing	Electrical I/O bus power 24 VDC --- max. 30 W per I/O bus power supply, Class 2 Maximum addresses per I/O bus 32

Addendum - California Proposition 65 Warning Statement for California Residents

⚠ WARNING: This product can expose you to chemicals including lead which is known to the State of California to cause cancer and which is known to the State of California to cause birth defects or other reproductive harm. For more information go to www.P65Warnings.ca.gov

部件名称 (Part Name)	有害物质 (Hazardous Substances)					
	铅 (Pb)	汞 (Hg)	镉 (Cd)	六价铬 (Cr (VI))	多溴联苯 (PBB)	多溴二苯醚 (PBDE)
塑料部件 (Plastic Parts)	○	○	○	○	○	○
电子件 (Electronics)	X	○	○	○	○	○

本表格依据 SJ/T11364 的规定编制。(This table is made according to SJ/T 11364.)

○: 表示该有害物质在该部件所有均质材料中的含量均在 GB/T 26572 规定的限量要求以下。

(Indicates that the concentration of hazardous substance in all of the homogeneous materials for this part is below the limit as stipulated in GB/T 26572.)

X: 表示该有害物质至少在该部件的某一均质材料中的含量超出 GB/T 26572 规定的限量要求。

(Indicates that the concentration of hazardous substance in at least one of the homogeneous materials used for this part is above the limit as stipulated in GB/T 26572.)

