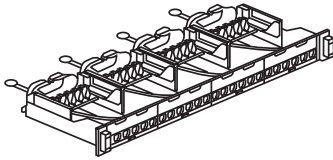
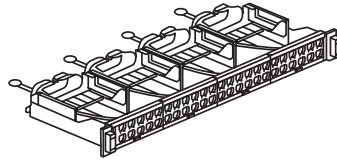


# Straight panel with cassettes to be equipped with RJ45 connectors

Cat. No(s): 0 337 90/93



0 337 90



0 337 93

## CONTENTS

## Page

1. GENERAL CHARACTERISTICS .....	1
2. POSITIONING .....	1
3. TECHNICAL CHARACTERISTICS .....	2
4. DIMENSIONS .....	2
5. ACCESSORIES .....	2

### 1. GENERAL CHARACTERISTICS

Equipped with new-generation Soluclips for automatic (screwless) fixing on rack and cabinet uprights.

Universal mounting in all racks or cabinets with automatic earthing on unpainted panels. Painted panels can be connected to earth with a cord and a screw connection.

Equipped with rear cable guide to hold cables during maintenance.

Equipped with 4 Cat. 5e to 8 RJ 45 cassettes (6 or 12 ports).



To be equipped with RJ45 Cat. 5e, Cat. 6, Cat. 6A or Cat. 8 connectors.

Supplied with different colour identification labels for each cassette (blue, white, yellow, orange).

19" panel - 1 U.

Cassettes removed automatically by simply pressing the button on the front.

Each connector can be removed individually.

Description	Cat. No.	Number of ports	Weight (g)
 Panel to be equipped with 24 connectors	0 337 90	24	1493
 Panel to be equipped with 48 connectors	0 337 93	48	1450.2

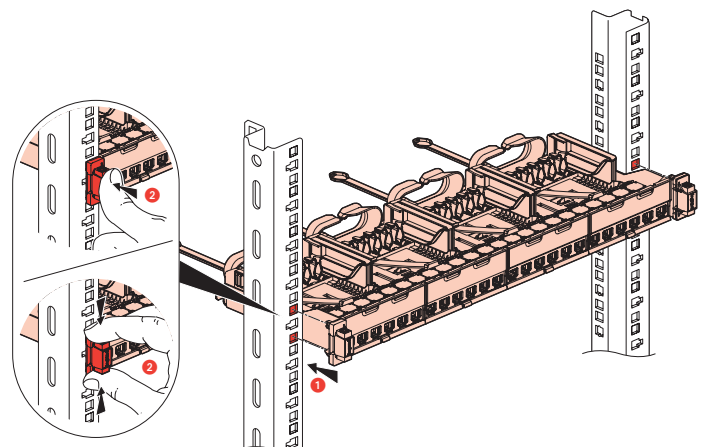
### 2. POSITIONING

Connectors are connected at the front without a special tool.

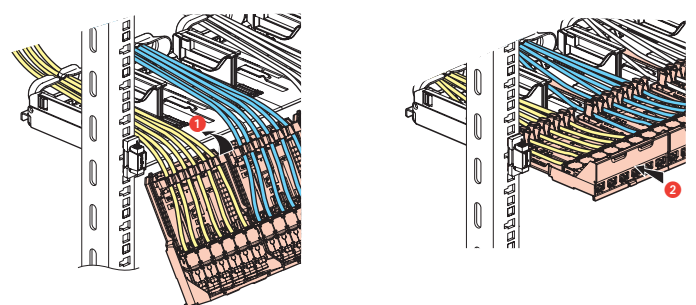
- Individual connectors simply clip onto the panel

No need for cable ties: the cable is held in its cable guide in the cassette and by a concentric strand guide on the panel.

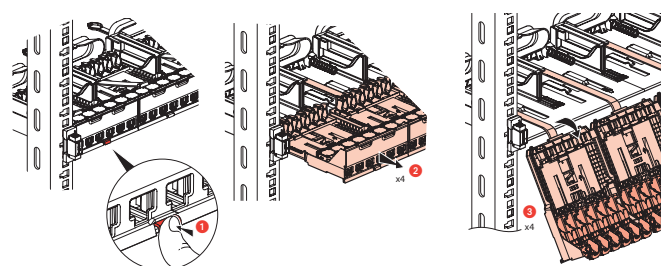
#### Mounting a panel



#### Mounting a cassette



#### Removing a cassette



## 3. TECHNICAL CHARACTERISTICS

### ■ 3.1 Materials

Panel: DC01 galvanised sheet steel

Cassette: Polycarbonate, ABS, PA 6/6, stainless steel, tinned brass, nickel silver

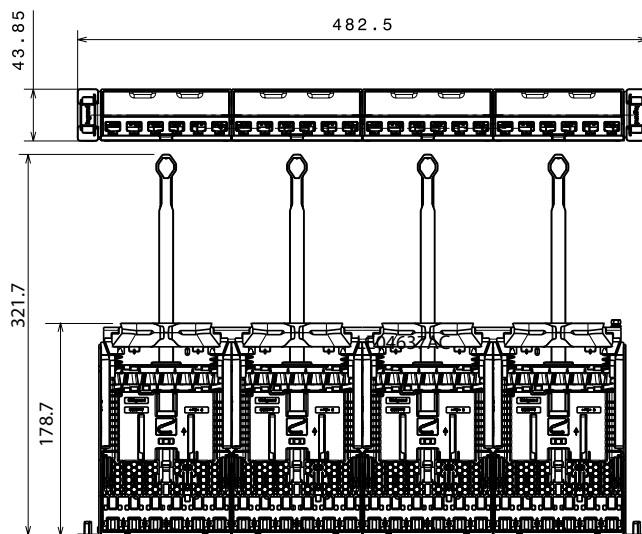
### ■ 3.2 Climatic characteristics

Operating temperatures: -40°C to +70°C

Humid heat 21-day cycle

## 4. DIMENSIONS

Dimensions of panels 0 337 90/93



## 5. ACCESSORIES

- **0 337 57:** Blanking cassette

Used to fill gaps in the panel.

- **0 337 57:** Port blanking plate

Blanking plate with 6 separable ports

Used to block up individually, partially or fully 1 to 6 ports (cassette with 6 ports) or 1 to 12 ports (HD cassette).

- **0 337 59:** Cable guide

2 cable guides to be clipped onto new-generation Soluclips

Manages cables laterally by holding them and tilting them horizontally and vertically.

