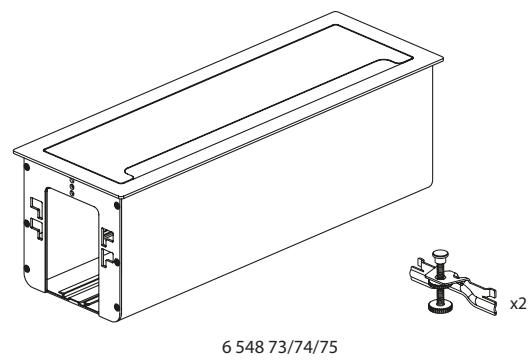
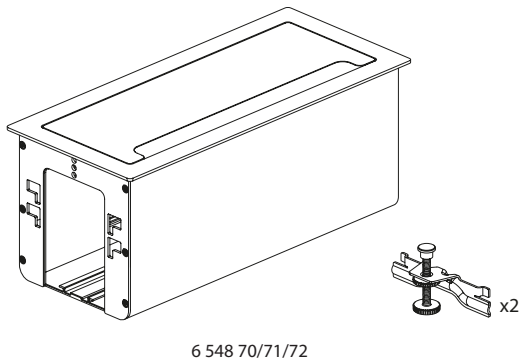


Incara™ Top Access

Cat. No(s) : 6 548 70/71/72/73/74/75



1. USE

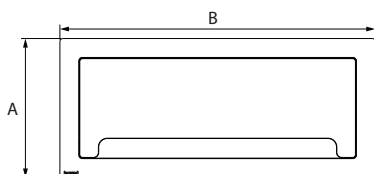
Incara™ Top Access is a solution to be mounted into the desk, it allows an easy and discreet storage of cables and cords as well as mobile multi-outlets. Ideal addition to Incara™ Top Access, Legrand under desk multi-outlet can be fixed using the rails available in the bottom of the box.

2. RANGE

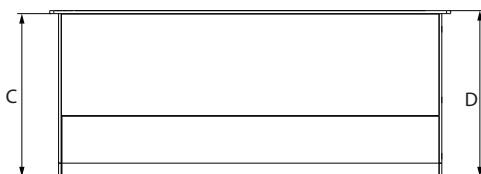
Description	Colors	Cat. Nos
Incara™ Top Access 295	aluminium	6 548 70
	white	6 548 71
	black	6 548 72
Incara™ Top Access 385	aluminium	6 548 73
	white	6 548 74
	black	6 548 75

3. DIMENSIONS

Top view

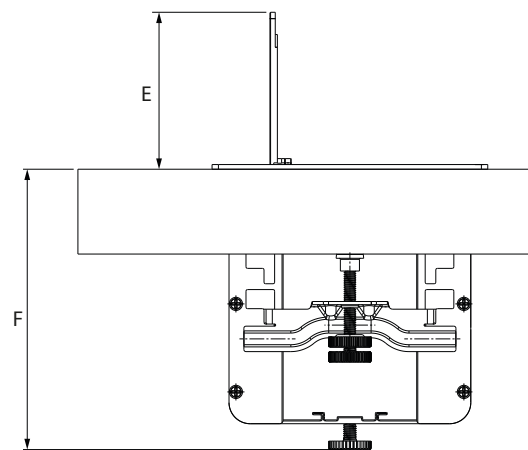


Side view



	A	B	C	D
Incara™ Top Access 295	130	295	120	122.2
Incara™ Top Access 385		385		

3. DIMENSIONS (mm) (cont.)



E	F
74	132.19

4. INSTALLATION

Must not be fitted on the floor.

■ 4.1 Installation into the desk

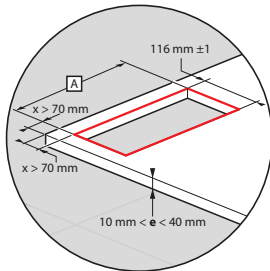


4. INSTALLATION (cont.)

■ **4.2 Drilling dimensions and max radius cut-out in corners**

4.2.1 Sharp edges cut-out

	6 548 70/71/72	6 548 73/74/75
A	284 mm ±1	374 mm ±1

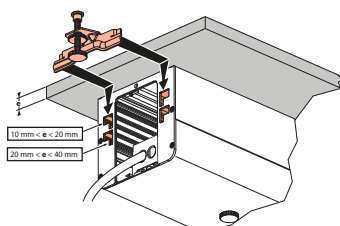
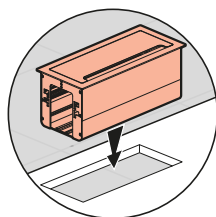


4.2.2 CNC machining cut-out



X	R1 MAX	R2 MAX
122	6	3

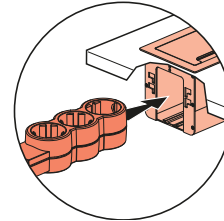
■ **4.3 Insertion and fixing**



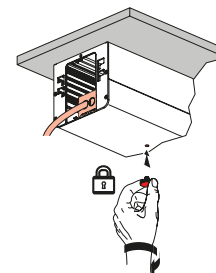
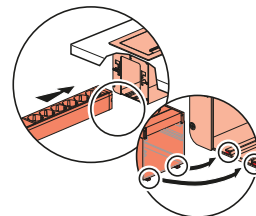
4. INSTALLATION (cont.)

■ **4.4 Installation of a multi-outlet extension**

4.4.1 Standard multi-outlet



4.4.2 Legrand under desk multi-outlet



5. GENERAL CHARACTERISTICS

■ **5.1 Mechanical characteristics**

Resistance to impacts: IK 07

■ **5.2 Material characteristics**

- Basket: Aluminium
 - . mat black color painted
 - . mat white
 - . natural aluminium
- Fixing brackets: Steel

■ **5.3 Climate characteristics**

Operating temperature: from -5°C to +35°C

Storage temperature: from -10°C to +70°C

6. CLEANING

Superficial cleaning with a soft cloth. Do not use abrasive products or detergents.

Caution : Always test before using other special cleaning products