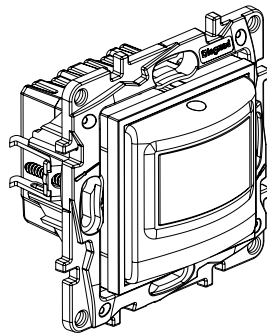
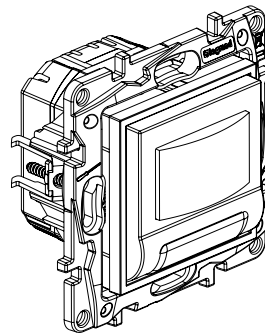


Niloé™ Step Motion sensor

Cat. No(s): 8 631 48/49/51 - 8 633 48/49/51
 8 634 48/49/51 - 8 635 48/49/51



8 633X 48 - 8 633X 49



8 633X 51

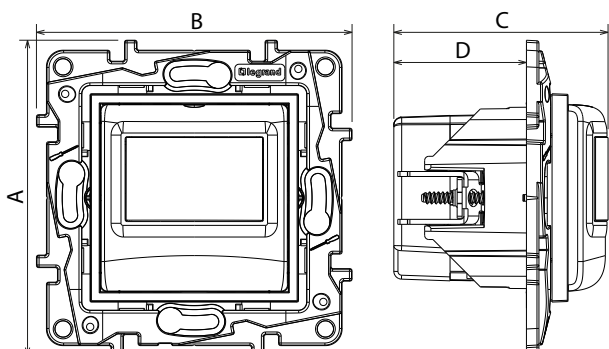
1. USE

Automatic switch with or without neutral, with infrared detection.
 Switches automatically on in case of movement detection and low natural light level.
 Detection field: 120° - Detection : 8 m
 Supplied with support frame cover plates and without plates.
 Mechanisms supplied with protection cover.
 To be equipped with plates one or several gangs.
 Flush-mounting or surface-mounting.
 Screw or claw fixing.

2. RANGE

Description	White	Aluminium	Grey	Black
Automatic switch 2-wires without neutral	8 631 48	8 633 48	8 634 48	8 635 48
Automatic switch 3-wires with neutral	8 631 49	8 633 49	8 634 49	8 635 49
Automatic switch 2-wires without neutral pilot light	8 631 51	8 633 51	8 634 51	8 635 51

3. DIMENSIONS (mm)



References	A	B	C	D
8 63X 48	75.8	75.8	51.45	31.85
8 63X 49	75.8	75.8	51.25	31.85
8 63X 51	75.8	75.8	51.3	32.5

4. CONNECTION

Type of terminals: with screws
 Terminal capacity: 2 x 2.5 mm²
 Stripping length (mm): 8 mm
 Flexible or rigid cables compatible

5. TECHNICAL CHARACTERISTICS

■ 5.1 Mechanical characteristics

Protection against solid bodies and liquids: IP 20
 Protection against impact: IK 04

■ 5.2 Material characteristics

Material : - Mechanism housing: PC
 - Halogen free
 - UV resistant
 - Claws: steel
 Material of the support: - PC + FV
 - Halogen free

Self-extinguishing:

+ 850° C / 30 s for insulating parts holding live parts in place
 + 650° C / 30 s for other parts made of insulating materials

■ 5.3 Electrical characteristics

- Voltage: 100 - 240 V~
- Frequency: 50/60 Hz
- Power accepted by lamp type:
 - LEDs : 3 W to 100 W
 - Fluocompact: 3 W to 100 W
 - LEDs, CFLs, Halogen, with ferromagnetic or electronic ballast: 3 VA à 250 VA
 - Halogen lamps 230 V, incandescent lamps: 3 W to 250 W
- Standby consumption: 0.02 W
- Time delay adjustable: from 10 s to 10 mn
- Adjustable luminosity threshold: from 5 Lux to 1275 Lux

■ 5.4 Climatic characteristics

Use temperature: - 5° C to + 35° C
 Storage temperature: - 10° C to + 70° C

6. MAINTENANCE

Surface cleaning with a cloth.
 Do not use: acetone, tar remover, trichloroethylene.

Maintenance with the following products: Hexane (EN 60669-1), Methylated spirit, Soapy water, Diluted ammonia, Bleach diluted to 10%, Window-cleaning products.

Caution: A preliminary test should be carried out if other specific cleaning products are to be used.

7. STANDARDS AND APPROVALS

Compliance with standards of installation and manufacturing.
 Refer to e. catalogue.