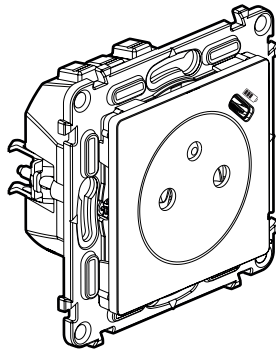
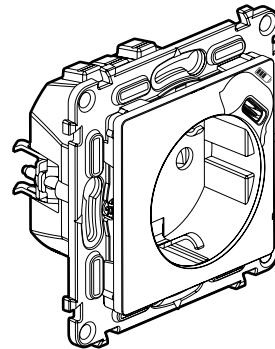


Valena Life™ 2 P+E + USB Type-C mixed socket outlet

Cat. Nos: 7 531 36 - 7 532 36 - 7 533 36
 7 531 35 - 7 532 35 - 7 533 35
 7 563 35/36



7 531 36 - 7 532 36 - 7 533 36



7 531 35 - 7 532 35 - 7 533 35

1. USE

2 P+E socket outlets with child protection.
 USB Type C socket: for recharging portable devices such as phones, smartphones, tablets, MP3, MP4, loudspeakers, watches, game consoles, powerbanks.
 Recessed mounting in box depth 40 mm min.
 Fixing with screws and/or claws.

2. RANGE

Description French standard

Mixed socket composed of:
 - 2 P+E socket flush surface - 16 A - 250 V~
 - single USB socket - 5 V~ - 1.5 A - 7.5 W
 Supplied with support (spacing 71 mm) and cover plate

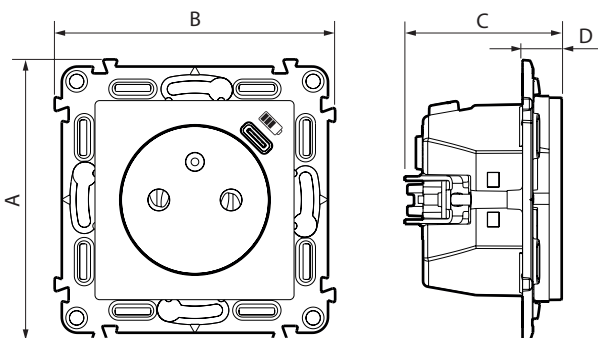
White	Ivory	Aluminium	Black
7 531 36	7 532 36	7 533 36	7 563 36

Description German standard

Mixed socket composed of:
 - 2 P+E socket outlet - 16 A - 250 V~
 - single USB socket - 5 V~ - 1.5 A - 7.5 W
 Supplied with support (spacing 71 mm) and cover plate

White	Ivory	Aluminium	Black
7 531 35	7 532 35	7 533 35	7 563 35

3. DIMENSIONS (mm)



Cat. Nos.	A	B	C	D
7 531 35 - 7 532 35 - 7 533 35 - 7 563 35	75	75	41.5	10
7 531 36 - 7 532 36 - 7 533 36 - 7 563 36	75	75	44.5	13

4. CONNECTION

- **4.1 2 P+E socket outlet**
 Type of terminals: automatics
 Terminal capacity: 6 x 2.5 mm²
 Stripping length: 11 mm
 Flexible or rigid cables compatible
- **4.2 Type C USB socket**
 Prewired socket

5. TECHNICAL CHARACTERISTICS

- **5.1 Mechanical characteristics**
 Protection against impact: IK 04
 Protection against solid bodies and liquids: IP 40
- **5.2 Material characteristics**
 Mechanism casing: PC
 Cover plate:
 PC White RAL 9003 - PC Ivory RAL1013 - PC painted Aluminium
 PC painted Black
 Support: PC grey RAL 7016 + metal
 Claws: Steel
 Halogen-free
 UV-resistant
 Self-extinguishing:
 850°C/30 s for insulating components holding live parts in place
 650°C/30 s for other insulating components
- **5.3 Electrical characteristics 2 P+E socket**
 Voltage: 250 V~
 Current: 16 A
 Frequency: 50/60 Hz

5. TECHNICAL CHARACTERISTICS *(continued)*

■ 5.4 Electrical characteristics USB socket

Integrated surge protection

All values listed below are measured at an ambient temperature of + 20° and after 30 minutes of operation.

Nominal input voltage	100-240 V~
Nominal input frequency	50/60 Hz
Nominal output voltage	5.0 V~
Nominal input current	0.2 A
Maximum output current Type-C	1.5 A
Power consumption	7.5 W
Average efficiency in active mode	80.3 %
Stand-by power consumption	< 0.07 W
Consumption class without load and average level of efficiency: Level VI*	
Protection class	II - Low voltage

***Note:** European Regulation No. 278/2009 of 6 April 2009, Directive 2009/125/EC on eco-design requirements for AC/DC power supplies.

Note: To optimize the charging time of your device, ensure turn it off during the charging phase.

■ 5.5 Climate characteristics

Storage temperature: - 10°C to + 70°C

Usage temperature: - 5°C to + 35°C

6. CLEANING

Surface cleaning with a cloth.

Do not use: acetone, tar remover, trichlorethylene.

Caution: Always test before using other special cleaning products.

7. STANDARDS AND APPROVALS

Compliant with installation and manufacturing standards.

See e-catalogue.